



22 cu. ft. French Door Refrigerator

KRFF302E



Stainless Steel
KRFF302ESS

Also available in:

- White **KRFF302EWH**
- Black **KRFF302EBL**
- Black Stainless Steel with PrintShield™ Finish **KRFF302EBS**

Capacity

Total Capacity	22 cu. ft.
Refrigerator Capacity	16 cu. ft.
Freezer Capacity	6 cu. ft.

General Features & Properties

- Produce Preserver
- FreshChill™ Temperature-Controlled Full-Width Pantry
- Humidity-Controlled Crispers
- Slide-Away Split Shelf
- Automatic Ice Maker
- LED Lighting
- Max Cool
- ENERGY STAR® Certified
- Metallic Accents on Shelf Trim

Electrical Details

Amps	15
Volts	120

Certifications

ENERGY STAR® Certified	Yes
------------------------	-----

Technical Details

Refrigerator Type	French Door
Number of Doors	3
Number of Interior Refrigerator Shelves	5
Number of Refrigerator Door Bins	2 Fixed, 3 Adjustable
Number of Interior Freezer Shelves	2 Wire
Lighting Type	LED
Ice Maker	Factory Installed
Ice Maker Location	Freezer
Dispenser Type	Interior Water

Dimensions

Product Dimensions (H x W x D)	70-1/8" x 32-7/8" x 34-1/2"
Depth with Door Open 90°	47-1/8"
Cutout Dimensions	Allow extra 1/2" on sides and top Allow extra 1" on rear

Reference Material

- [Dimension Guide](#)
- [Use & Care Guide](#)
- [Energy Guide](#)
- [Warranty](#)

Key Features & Benefits

ExtendFresh™ Temperature Management System

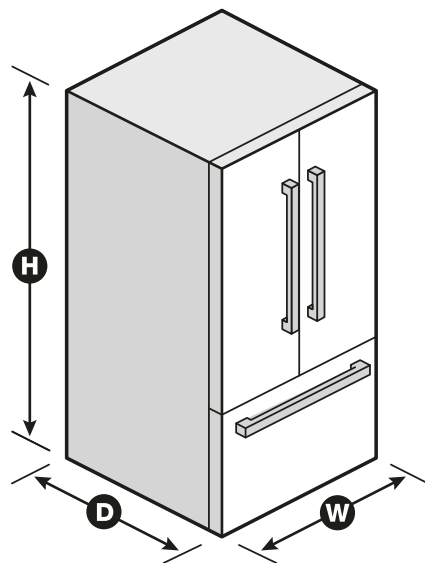
Separately monitors the temperatures in the refrigerator and freezer with sensors.

Interior Water Dispenser

Provides easy access to filtered water inside the refrigerator.

Professionally-Inspired Design

Features Satin Textured Handles with iconic KitchenAid Brand Medallions and a beautiful chrome frame.



NOTE: Dimensions are for planning purposes only. For complete details, see Installation Instructions packed with product. Specifications subject to change without notice.

®/™ © 2020. All rights reserved. Printed in the U.S.A. D200052XXC. KRFF302ESPECSHEETV01.