



27 cu. ft. French Door Refrigerator

KRFF507H



Stainless Steel with PrintShield™ Finish
KRFF507HPS

Also available in:

- White **KRFF507HWH**
- Black **KRFF507HBL**
- Black Stainless Steel with PrintShield™ Finish **KRFF507HBS**

Key Features & Benefits

ExtendFresh™ Temperature Management System

Separately monitors the temperatures in the refrigerator and freezer.

Pull Out Tray

Ideal space to store large platters of appetizers and then access them with ease.

FreshChill™ Temperature-Controlled Full-Width Pantry

A manual temperature setting lets you maintain the freshness of a variety of ingredients.

Capacity

Total Capacity	27 cu. ft.
Refrigerator Capacity	19 cu. ft.
Freezer Capacity	8 cu. ft.

General Features & Properties

- In-Door-Ice® System
- 2-Tier Freezer Drawer with Storage Dividers
- Metallic Accents on Shelf Trim
- SatinGlide® Crispers and Pantry
- Humidity Controlled Crispers
- Measured Water Fill
- Through-the-Door Ice and Water Dispenser
- Slide-Away Split Shelf

Electrical Details

Amps	15
Volts	115

Certifications

ENERGY STAR® Certified	Yes
------------------------	-----

Technical Details

Refrigerator Type	French Door
Number of Doors	3
Number of Interior Refrigerator Shelves	5
Number of Refrigerator Door Bins	3 Adjustable, 2 Fixed
Number of Interior Freezer Shelves	2 Plastic
Number of Freezer Door Bins	1 Pizza Pocket
Lighting Type	LED
Ice Maker	Factory Installed
Ice Maker Location	Refrigerator Door
Dispenser Type	Exterior Ice and Water

Dimensions

Product Dimensions (H x W x D)	69-7/8" x 35-11/16" x 36-5/8"
Depth with Door Open 90°	48"
Cutout Dimensions	Allow extra 1/2" on sides and top Allow extra 1" on rear

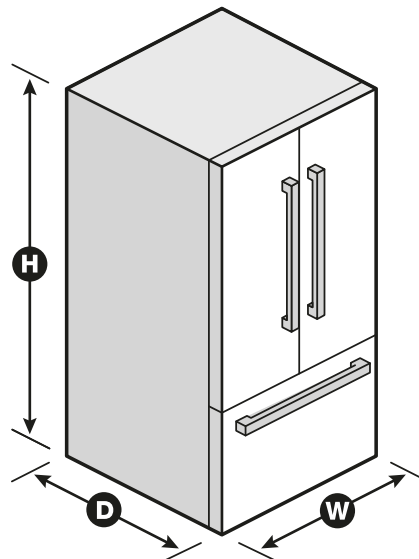
Reference Material

[Dimension Guide](#)

[Use & Care Guide](#)

[Energy Guide](#)

[Warranty](#)



NOTE: Dimensions are for planning purposes only. For complete details, see Installation Instructions packed with product. Specifications subject to change without notice.

®/™ © 2020. All rights reserved. Printed in the U.S.A. D200052XXC. KRFF507HSPECSHEETV01.