



Stainless Steel
KRMF706ESS

Also available in:



Black Stainless Steel with PrintShield™ Finish

KRMF706EBS

Capacity

| | |
|-----------------------|------------|
| Total Capacity | 26 cu. ft. |
| Refrigerator Capacity | 18 cu. ft. |
| Freezer Capacity | 8 cu. ft. |

General Features & Properties

- 2 Soft-Close Drawers
- Professionally-Inspired Design
- 3-Tier Freezer Drawer with Storage Divider
- LED Lighting
- SatinGlide® Crispers
- Adjustable Spill Resistant Shelves
- Exterior Ice and Water Dispenser
- Measured Water Fill
- In-Door-Ice® System

Electrical Details

| | |
|-------|-----|
| Amps | 20 |
| Volts | 115 |

Technical Details

| | |
|---|------------------------|
| Refrigerator Type | French Door |
| Number of Doors | 5 |
| Number of Interior Refrigerator Shelves | 5 |
| Number of Refrigerator Door Bins | 4 Adjustable, 1 Fixed |
| Number of Interior Freezer Shelves | 3 Plastic |
| Lighting Type | LED |
| Ice Maker | Factory Installed |
| Ice Maker Location | Refrigerator Door |
| Dispenser Type | Exterior Ice and Water |

Dimensions

| | |
|--------------------------------|---|
| Product Dimensions (H x W x D) | 70-1/8" x 36" x 36-1/4" |
| Depth with Door Open 90° | 49" |
| Cutout Dimensions | Allow extra 1/2" on sides and top Allow extra 1" on rear |

Reference Material

- [Dimension Guide](#)
- [Use & Care Guide](#)
- [Energy Guide](#)
- [Warranty](#)

Key Features & Benefits

5-Door Configuration

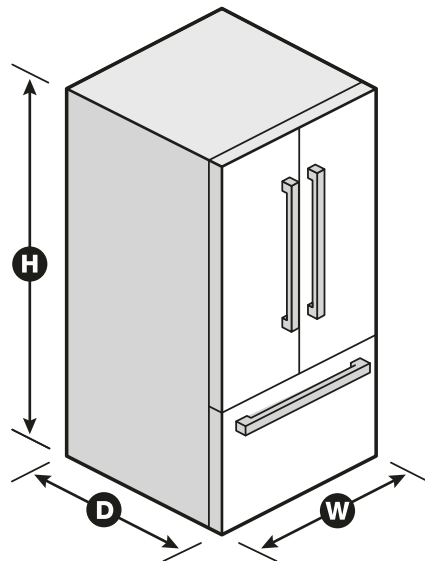
Put all your food in ready sight and easy reach. Soft close pantry doors offer added convenience.

Preserva® Food Care System

Two independent cooling systems help keep all your ingredients fresh longer.

Herb Storage

Keep herbs like rosemary, oregano and thyme fresh in a dedicated storage compartment.



NOTE: Dimensions are for planning purposes only. For complete details, see Installation Instructions packed with product. Specifications subject to change without notice.