



6.0 cu. ft. Double Oven Gas Range

KFGD500E



Stainless Steel
KFGD500ESS

Also available in:

- White **KFGD500EWH**
- Black **KFGD500EBL**
- Black Stainless Steel with PrintShield™ Finish **KFGD500EBS**

Capacity	
Upper Oven	2.1 cu. ft.
Lower Oven	3.9 cu. ft.
General Features & Properties	
5 Burners	
EasyConvect™ Conversion System	
Glass Touch Controls	
SatinGlide® Rack	
Hidden Bake	
Stainless Steel Cooktop	
Electrical Details	
Amps	15
Volts	120

Technical Details	
Fuel Type	Gas
Range Type	Freestanding Double Oven
Oven Cooking System	Upper: Thermal Lower: Convection
Number of Oven Racks	Upper: 1 Lower: 2
Cleaning Type	Self-Cleaning
Number of Burners	5
Burner Type	Sealed Burners
Burner Size/Power	(1) 17,000 BTU (1) 10,000 BTU (1) 7350 BTU (2) 5000 BTU

Dimensions	
Product Dimensions (H x W x D)	47-3/8" x 29-15/16" x 28-1/2"
Depth with Door Open 90°	45-1/2"

Reference Material

- [Dimension Guide](#)
- [Install Guide](#)
- [Use & Care Guide](#)
- [Warranty](#)

Key Features & Benefits

Even-Heat™ True Convection

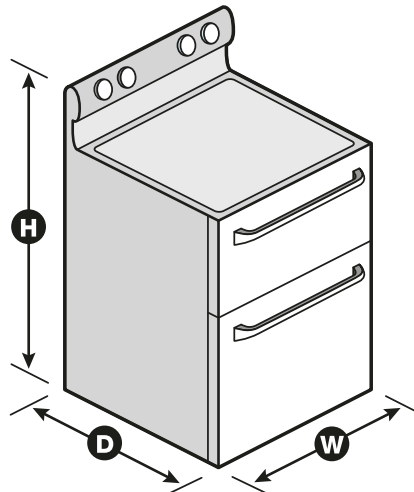
Produces flawless results. The unique bow-tie design and convection fan ensure the inside of the entire oven is heated to, and stays at, the perfect temperature.

6.0 Cu. Ft. Total Capacity

Combined upper and lower oven capacities provide more room to cook multiple dishes at the same time.

Professionally-Inspired Design

Combines a bold blend of professionally-inspired styling with sleek touches for the home. This double oven range features Satin Textured Handles and the KitchenAid® Badge, a symbol of uncompromised quality.



NOTE: Dimensions are for planning purposes only. For complete details, see Installation Instructions packed with product. Specifications subject to change without notice.

®/™ © 2020. All rights reserved. Printed in the U.S.A. D200052XXB. KFGD500ESPECSHEETV01.