



Stainless Steel  
KODE500ESS

**Also available in:**

- Black **KODE500EBL**
- Black Stainless **KODE500EBS**

**Capacity**

Oven	10.0 cu. ft.
------	--------------

**General Features & Properties**

FIT System Guarantee

EasyConvect™ Conversion System

5.0 Cu. Ft. Capacity (each oven)

Even-Heat™ Preheat

SatinGlide™ Roll-Out Extension Rack (both ovens)

Glass-Touch Display with Control Lock Function

Self-Cleaning Cycle

**Electrical Details**

Amps	40
------	----

Volts	240
-------	-----

**Certifications**

Star-K Certified/Kosher	Yes
-------------------------	-----

**Technical Details**

Fuel Type	Electric
-----------	----------

Oven Type	Double
-----------	--------

Oven Cooking System	Convection Both Ovens
---------------------	-----------------------

Number of Oven Racks	3 Each Oven
----------------------	-------------

Cleaning Type	Adjustable Self-Cleaning
---------------	--------------------------

**Dimensions**

Product Dimensions (H x W x D)	51-1/4" x 30" x 27-1/8"
--------------------------------	-------------------------

Depth with Door Open 90°	46-3/4"
--------------------------	---------

Cutout Dimensions (H x W x D)	50-1/4" x 28-1/2" x 24"
-------------------------------	-------------------------

**Reference Material**

[Dimension Guide](#)

[Install Guide](#)

[Use & Care Guide](#)

[Warranty](#)

**Key Features & Benefits**

**Even-Heat™ True Convection Oven (both ovens)**

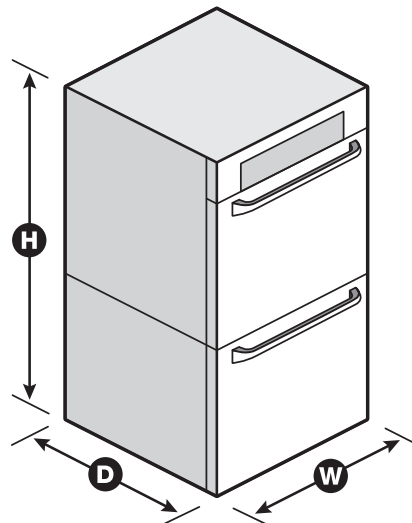
The unique bow-tie design and convection fan ensure the inside of the oven is heated to, and stays at, the perfect temperature.

**Temperature Probe (both ovens)**

Allows accurate measurement of internal temperature of meats, poultry, and casseroles without having to open the oven door.

**Professionally-Inspired Design**

Combines a bold blend of professionally-inspired styling with sleek touches for the home. This beautiful built-in wall oven features Satin Textured Handles, Precision Touch Controls, a stunning Chrome Inlaid Frame, the KitchenAid® Badge and Brand Medallion.



NOTE: Dimensions are for planning purposes only. For complete details, see Installation Instructions packed with product. Specifications subject to change without notice.