



INSTALLATION INSTRUCTIONS

**30" Chimney Vent Hood
ZV830**

ENGLISH/FRANÇAIS/ESPAÑOL

Safety Information

BEFORE YOU BEGIN

Read these instructions completely and carefully.

- **IMPORTANT** — Save these instructions for local inspector's use.
- **IMPORTANT** — Observe all governing codes and ordinances.
- **Note to Installer** — Be sure to leave these instructions with the Consumer.
- **Note to Consumer** — Keep these instructions with your Owner's Manual for future reference.
- **Skill Level** — Installation of this appliance requires basic mechanical and electrical skills.
- **Completion Time** — 1 to 3 Hours.
- Proper installation is the responsibility of the installer. Product failure due to improper installation is not covered under the warranty.
- For Monogram local service in your area, visit monogram.com.
- For Monogram service in Canada, visit monogram.ca
- For Monogram Parts and Accessories, visit monogram.com/use-and-care/parts.

▲ CAUTION Due to the weight and size of these vent hoods and to reduce the risk of personal injury or damage to the product, **TWO PEOPLE ARE REQUIRED FOR PROPER INSTALLATION.**

▲ WARNING To reduce the risk of fire or electrical shock, do not use this range hood with any external solid-state speed control device. Any such alteration from original factory wiring could result in damage to the unit and/or create an electrical safety hazard. **TO REDUCE THE RISK OF FIRE, USE ONLY METAL DUCTWORK.**

▲ WARNING TO REDUCE THE RISK OF FIRE, ELECTRICAL SHOCK OR INJURY TO PERSONS, OBSERVE THE FOLLOWING:

- A. Use this unit only in the manner intended by the manufacturer. If you have any questions, contact the manufacturer.
- B. Before servicing or cleaning the unit, switch the power off at the service panel and lock the service disconnecting means to prevent the power from being switched on accidentally. When the service disconnecting means cannot be locked, securely fasten a prominent warning device, such as a tag, to the service panel.

▲ CAUTION FOR GENERAL VENTILATING USE ONLY. DO NOT USE TO EXHAUST HAZARDOUS MATERIALS, EXPLOSIVE MATERIALS OR VAPORS.

▲ WARNING TO REDUCE THE RISK OF FIRE, ELECTRICAL SHOCK OR INJURY TO PERSONS, OBSERVE THE FOLLOWING:

- Installation work and electrical wiring must be done by qualified person(s) in accordance with all applicable codes and standards, including fire-rated construction.
- Sufficient air is needed for proper combustion and exhausting of gases through the flue (chimney) of fuel burning equipment to prevent back-drafting. Follow the heating equipment manufacturer's guidelines and safety standards, such as those published by the National Fire Protection Association (NFPA), the American Society for Heating, Refrigeration and Air Conditioning Engineers (ASHRAE) and the local code authorities. When applicable, install any makeup (replacement) air system in accordance with local building code requirements.
- When cutting or drilling into walls or ceilings, do not damage electrical wiring and other hidden utilities.
- Ducted systems must always be vented to the outdoors.
- Local codes vary. Installation of electrical connections and grounding must comply with applicable codes. In the absence of local codes, the vent should be installed in accordance with National Electrical Code ANSI/NFPA 70-1990 or latest edition.

▲ CAUTION To reduce risk of fire and to properly exhaust air, be sure to duct air outside — do not vent exhaust air into spaces within walls or ceilings or into attics, crawl spaces or garages.

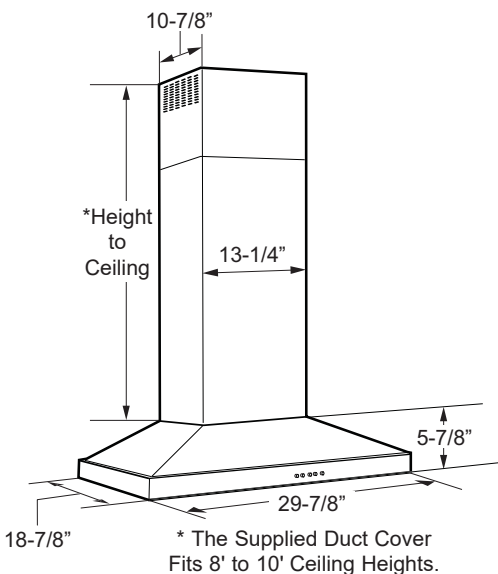
READ AND SAVE THESE INSTRUCTIONS

Design Information

CONTENTS

Safety Information	2	Step 3, Install Duct Bracket.....	10
Design Information		Step 4, Mount the Hood.....	10
Product Dimensions and Clearances.....	3	Step 5, Connect Ductwork.....	11
Installation Options.....	3	Step 6, Connect Electrical.....	12
Installation Preparation		Step 7, Install Duct Covers.....	12
Advance Planning, Ductwork, Framing.....	4	Step 8, Install Filters.....	13
Power Supply.....	4	Step 9, Finalize Installation.....	13
Duct Fittings.....	5	Installation—Recirculating	
Tools and Materials Required.....	6	Ductwork, Wiring Locations.....	14
Remove the Packaging.....	6	Step 1, Install Framing for Hood Support.....	14
Determine Installation Height.....	7	Step 2, Install Hood Mounting Screws.....	15
Wall Mount Installation Heights.....	7	Step 3, Install Duct Bracket.....	15
Check Installation Hardware.....	8	Step 4, Mount the Hood.....	15
Installation—Vented to the Outside		Step 5, Size and Cut Duct Piece.....	16
Ductwork, Wiring Locations.....	9	Step 6, Connect Electrical.....	17
Step 1, Install Framing for Hood Support.....	9	Step 7, Install Duct Covers.....	17
Step 2, Install Hood Mounting Screws.....	10	Step 8, Install Filters.....	18
		Step 9, Finalize Installation.....	18

PRODUCT DIMENSIONS AND CLEARANCES

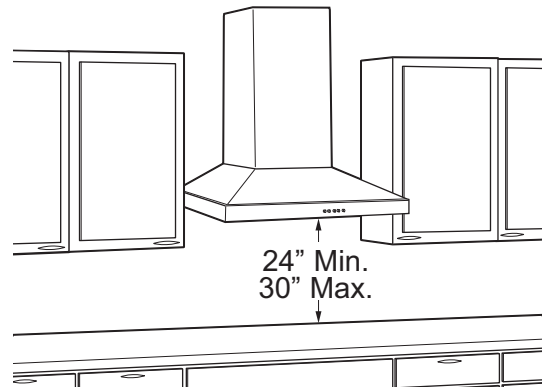


The vent hood must be installed 24" min., and 30" max. above the cooking surface. The hood installation height above the cooking surface depends upon ceiling height.

The telescopic duct cover conceals the ductwork running from the top of the hood to the ceiling. The supplied duct cover is sized to reach 8' to 10' ceiling heights. See page 7.

ZX83012 Accessory – Duct accessory for ceiling heights of 10' to 12'. See page 7.

INSTALLATION OPTIONS



NOTE: Installation height should be measured from the cooking surface to the lowest part of the hood.

This hood may be installed onto a wall and vented to the outdoors, or it can be installed for recirculating operation. All necessary parts for recirculating operation are supplied with the hood. No kits required.

This hood can be installed over any 30" Monogram electric cooktop or gas cooktop.

READ AND SAVE THESE INSTRUCTIONS

Installation Preparation

ADVANCE PLANNING

- Determine the exact location of the vent hood.
- Plan the route for venting exhaust to the outdoors.
- Use the shortest and straightest duct route possible. For satisfactory performance, duct run should not exceed 100 ft. equivalent length for any duct configurations.
- Refer to “Duct Fittings” chart on page 5 to compute the maximum permissible length for duct runs to the outdoors.
- When applicable, install any makeup (replacement) air system in accordance with local building code requirements.

▲ CAUTION To reduce risk of fire and to properly exhaust air, be sure to duct air outside—do not vent exhaust air into spaces within walls or ceilings or into attics, crawl spaces or garages.

▲ WARNING TO REDUCE THE RISK OF FIRE, USE ONLY METAL DUCTWORK.

- Install a wall cap with damper or roof cap at the exterior opening. Order the wall or roof cap and any transition needed in advance.

Wall Framing for Adequate Support

- This vent hood is heavy. Adequate structural support must be provided in all types of installations. The hood must be secured to vertical studs in the wall, or to a horizontal support.
- The vent hood should be on site before final framing and wall finishing. This will help to accurately locate the duct work and electrical service.
- Installation will be easier if the vent hood is installed before the cooktop and countertop are installed.

ACCESSORY DUCT COVER

This hood is shipped with a decorative duct cover for ceiling heights of 7'-11" to 10'. The ZX83012 duct cover accessory is available to reach ceiling heights between 10'-1" and 12'. The accessory should be ordered with the hood and be on site before installation begins.

POWER SUPPLY

IMPORTANT – (Please read carefully)

▲ WARNING FOR PERSONAL SAFETY, THIS APPLIANCE MUST BE PROPERLY GROUNDED.

Remove house fuse or open circuit breaker before beginning installation.

Do not use an extension cord or adapter plug with this appliance. Follow National electrical codes or prevailing local codes and ordinances.

Electrical supply

These vent hoods must be supplied with 120V, 60Hz, and connected to an individual, properly grounded branch circuit, and protected by a 15 or 20 amp circuit breaker or time delay fuse.

- Wiring must be 2 wire with ground.
- If the electrical supply does not meet the above requirements, call a licensed electrician before proceeding.
- Route house wiring as close to the installation location as possible, in the ceiling or back wall. Refer to Wiring Locations on page 9.
- Connect the hood wiring to the house wiring in accordance with local codes.

Grounding instructions

The grounding conductor must be connected to a grounded metal, permanent wiring system, or an equipment-grounding terminal or lead on the hood.

▲ WARNING The improper connection of the equipment-grounding conductor can result in a risk of electric shock. Check with a qualified electrician or service representative if you are in doubt whether the appliance is properly grounded.

▲ CAUTION Automatically Operated Device – To reduce the risk of injury disconnect from power supply before servicing. This unit is equipped with an integral disconnecting switch located inside the blower housing.

Installation Preparation

DUCT FITTINGS

This Hood Must Use an 8" Round Duct. It Can Transition to a 3-1/4" x 12" Duct.

Use this chart to compute maximum permissible lengths for duct runs to outdoors.

NOTE: Do not exceed maximum permissible equivalent lengths!


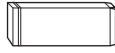


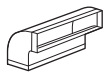
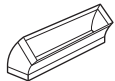
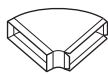
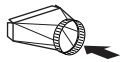
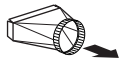
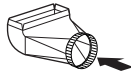
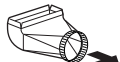
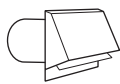
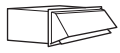

Maximum duct length: 100 feet for range hoods.

Flexible ducting:

If flexible metal ducting is used, all the equivalent feet values in the table should be doubled. The flexible metal duct should be straight and smooth and extended as much as possible.

DO NOT use flexible plastic ducting.

NOTE: Any home ventilation system, such as a ventilation hood, may interrupt the proper flow of combustion air and exhaust required by fireplaces, gas furnaces, gas water heaters and other naturally vented systems. To minimize the chance of interruption of such naturally vented systems, follow the heating equipment manufacturer's guidelines and safety standards such as those published by NFPA and ASHRAE. When applicable, install any makeup (replacement) air system in accordance with local building code requirements.

Duct Piece	Dimensions	Equivalent Length*	Quantity Used	Total Equivalent Length
	Round, straight	1 ft. (per foot length)		
	3-1/4" x 12" straight	1 ft. (per foot length)		
	90° elbow	17 ft.		
	45° elbow	10 ft.		
	3-1/4" x 12" 90° elbow	43 ft.		
	3-1/4" x 12" 45° elbow	26 ft.		
	3-1/4" x 12" 90° flat elbow	102 ft.		
	8" round to 3-1/4" x 12" transition	2 ft.		
	3-1/4" x 12" to 8" round transition	5 ft.		
	8" round to 3-1/4" x 12" transition 90° elbow	6 ft.		
	3-1/4" x 12" to 8" round transition 90° elbow	13 ft.		
	Round wall cap with damper	32 ft.		
	3-1/4" x 12" wall cap with damper	75 ft.		
	Round roof cap	44 ft.		

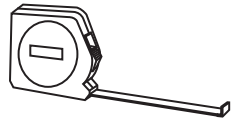
*Actual length of straight duct plus duct fitting equivalent. Equivalent length of duct pieces are based on actual tests conducted by GE Appliances Evaluation Engineering and reflect requirements for good venting performance with any ventilation hood.

Total Duct Run _____

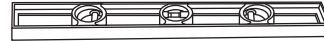
Installation Preparation

TOOLS AND MATERIALS REQUIRED (NOT SUPPLIED)

- Tape measure
- Knife
- Spirit level
- Wire cutter/stripper
- Wire nuts
- Electric drill with 1/8" and 3/8" bits
- Phillips and flat blade screwdrivers
- Hammer
- Pliers
- Safety glasses
- Aluminized duct tape
- Tape to mount template
- Gloves to protect against sharp edges
- 120V 60Hz. 15 or 20 Amp, 2 wire with ground Properly grounded branch circuit
- Strain relief for junction cover
- 8" round metal duct, length to suit installation
- Saw, jig saw or reciprocating saw
- Tin snips



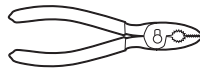
Measuring tape



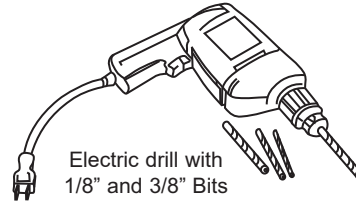
Spirit level



Gloves



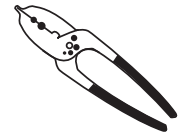
Pliers



Electric drill with
1/8" and 3/8" Bits



Knife



Wire cutter/stripper



Aluminized
duct tape



Safety glasses



Hammer



Strain relief



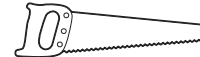
12" long Phillips
head screwdriver



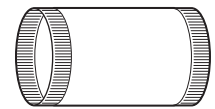
Flat blade screwdriver



Wire nuts



Saw, jig saw or
reciprocating saw



8" round metal duct, length
to suit installation



Tin snips



Masking tape

REMOVE THE PACKAGING

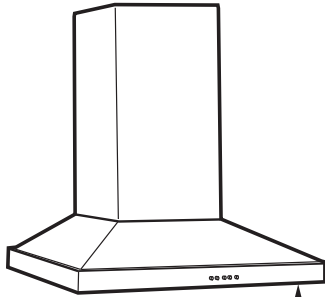
CAUTION Wear gloves to protect against sharp edges.

- Remove duct covers.
- Remove the parts box and other pieces. Locate the literature package.
- Remove and properly discard the protective plastic wrapping and other packaging materials.

Installation Preparation

DETERMINE INSTALLATION HEIGHT

- Telescopic duct covers are provided to conceal the ductwork running to the ceiling.
- This hood can be installed for recirculating operation. No kits required.



NOTE: Installation height should be measured from the cooking surface to the lowest part of the hood.

The vent hood must be installed 24" min. and 30" max. above the cooking surface. The hood installation height, from the cooking surface to the bottom of the hood, depends upon ceiling height.

ACCESSORIES

ZX83012 Accessory duct cover is available for 10 ft. to 12 ft. ceilings. This accessory consists of one 48 7/8" long duct cover.

Wall Mount ZV830 Installation Heights

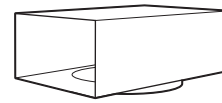
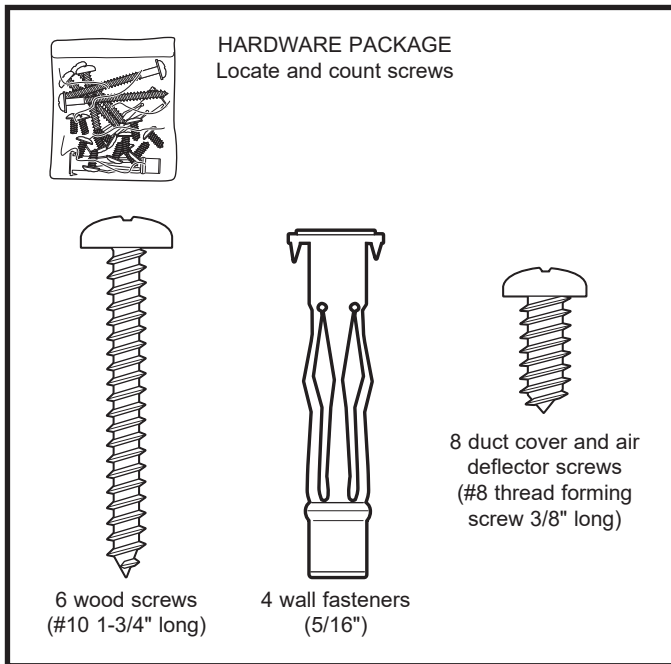
Actual Ceiling Height	*Possible VENTED Installation Height	*Possible RECIRCULATING Installation Height	
7'-11"	24"	24"	SUPPLIED
8'-0"	24" to 25"	24" to 25"	
8'-1"	24" to 26"	24" to 26"	
8'-2"	24" to 27"	24" to 27"	
8'-3"	24" to 28"	24" to 28"	
8'-4"	24" to 29"	24" to 29"	
8'-5" to 9'-6"	24" to 30"	24" to 30"	
9'-7"	25" to 30"	24" to 30"	
9'-8"	26" to 30"	24" to 30"	
9'-9"	27" to 30"	24" to 30"	
9'-10"	28" to 30"	24" to 30"	
9'-11"	29" to 30"	25" to 30"	
10'-0"	30"	26" to 30"	
10'-1"		27" to 30"	
10'-2"		28" to 30"	
10'-3"		29" to 30"	
10'-4"		30"	
9'-7"	24"		ACCESSORY ZX83012
9'-8"	24" to 25"		
9'-9"	24" to 26"		
9'-10"	24" to 27"		
9'-11"	24" to 28"	24"	
10'-0"	24" to 29"	24" to 25"	
10'-1"	24" to 30"	24" to 26"	
10'-2"	24" to 30"	24" to 27"	
10'-3"	24" to 30"	24" to 28"	
10'-4"	24" to 30"	24" to 29"	
10'-5"	24" to 30"	24" to 30"	
10'-6" to 11'-6"	24" to 30"	24" to 30"	
11'-7"	25" to 30"	24" to 30"	
11'-8"	26" to 30"	24" to 30"	
11'-9"	27" to 30"	24" to 30"	
11'-10"	28" to 30"	24" to 30"	
11'-11"	29" to 30"	25" to 30"	
12'-0"	30"	26" to 30"	

*Based on 36" countertop height.

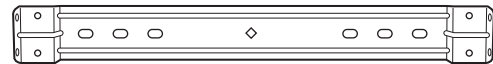
Installation Preparation

CHECK INSTALLATION HARDWARE

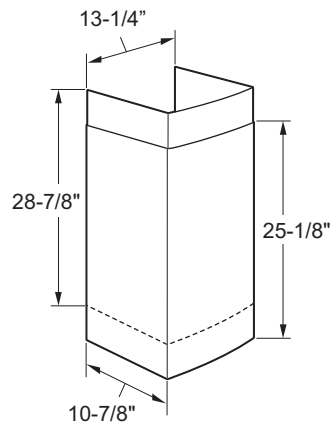
Locate the hardware package packed with the hood and check contents.



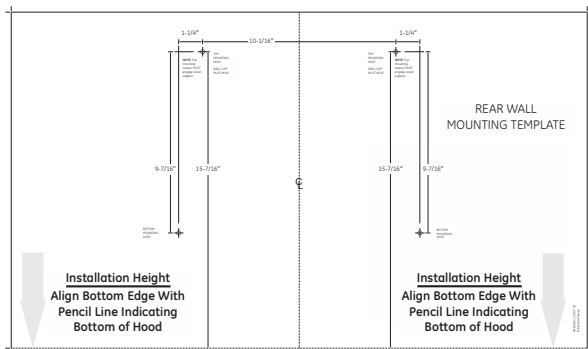
Air deflector for recirculating installation only



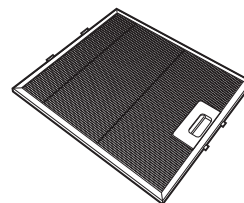
Duct bracket



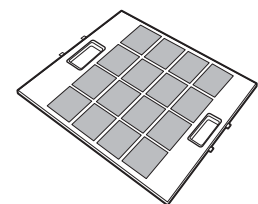
2-piece decorative duct cover (dimension shown for reference only)



Wall mount template



Stainless steel filter



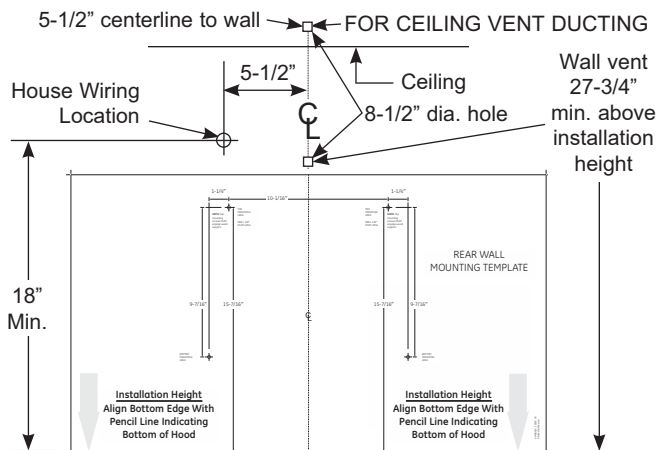
1 charcoal filter for recirculating installation

Installation Instructions

INSTALLATION—VENTED TO THE OUTSIDE

DUCTWORK, WIRING LOCATIONS

- Determine the exact location of the vent hood.
- Locate the template packed with the literature.
- Measure 36" from the floor to the top of the cooking surface. Add hood installation height determined on page 7. Mark that location.
- Use a level to draw a straight pencil line on the wall.



- Tape the template in position along the penciled line. CHECK TO BE SURE THE TEMPLATE IS LEVEL.

Ceiling ducting:

If ductwork will vent straight up to the ceiling:

- Use a level to draw a line straight up, from the centerline on the template to the ceiling.
- Measure 5-1/2" from the back wall to the centerline of an 8-1/2" hole on the ceiling.

NOTE: If drywall is not present, add drywall thickness to the 5-1/2" dimension.

Wall Ducting:

If ductwork will vent to the rear:

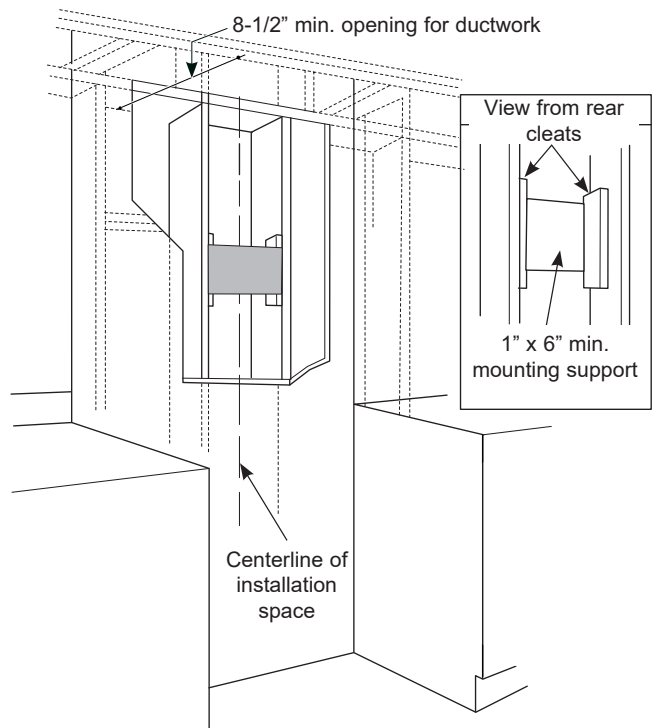
- Use a level to draw a line straight up from the centerline on the template.
- Measure at least 27-3/4" above the pencil line that indicates the bottom installation height, to the centerline of an 8-1/2" dia. duct hole. (Hole may be elongated for duct elbow.)

HOUSE WIRING LOCATION:

- The junction box is located on the top left side of the hood.
- Wiring should enter the back wall at least 18" above the bottom of the hood, and within 5-1/2" of the left side of the centerline.

1 INSTALL FRAMING FOR HOOD SUPPORT

IMPORTANT: Framing must be capable of supporting 100 lbs.



If drywall is present, mark the screw hole locations for the top mounting brackets. Remove the template.

- Cut away enough drywall to expose 2 vertical studs at the bracket location indicated on the template.
- Install a horizontal support at least 1" x 6" between two wall studs at the mounting screw location. **The horizontal support must be flush with the room side of the studs.** Use cleats behind both sides of the support to secure to wall studs.

IMPORTANT: Reinstall drywall for an even mounting surface.

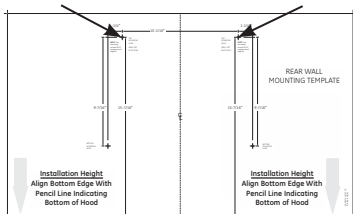
Installation Instructions

INSTALLATION—VENTED TO THE OUTSIDE

2 INSTALL HOOD MOUNTING SCREWS

The two upper mounting screws must enter the horizontal support or wall studs.

- With the template taped in place, use a punch to mark mounting bracket screw locations.
- Drill $1/8\leq$ pilot holes in 2 of the punched locations in the lower bracket.
- Remove the template.
- Install the mounting screws, leave $1/4\leq$ gap between the screw head and the wall. This will allow the keyhole slot on the hood frame to engage the screw head.



IMPORTANT: Use the mounting screws provided. DO NOT USE DRYWALL SCREWS.

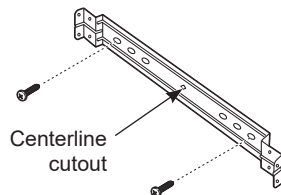
- Check to be sure the mounting screws are horizontally level.

3 INSTALL DUCT BRACKET

The duct bracket should be installed against the back wall and flush with the ceiling. This bracket will hold the duct cover in place at the top.

Secure the bracket to the wall:

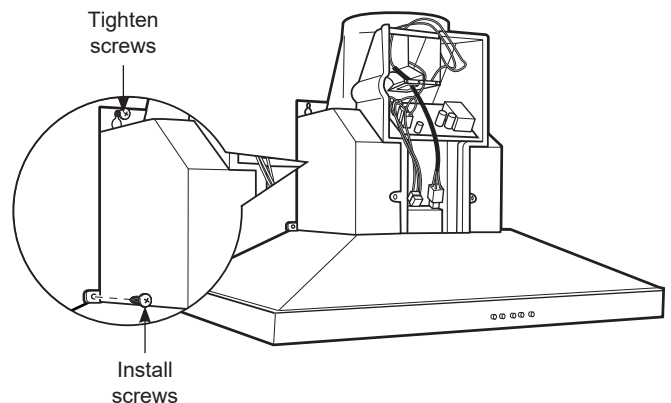
- Align the diamond centerline cutout on the bracket with the penciled centerline on the wall.
- Mark 2 screw hole locations in the wall.
- Drill $1/8\leq$ pilot holes in the marked locations.
- If pilot holes do not enter wood studs, enlarge the holes to $3/8\leq$ and install metal wall fastener anchors (provided).
- If mounting directly to a masonry wall, obtain appropriate #10 masonry screw anchors. Drill and install per the fastener supplier's instructions.
- Drive screws, by hand, into the fasteners to allow anchors to expand. Remove the screws.
- Secure the bracket to the wall with wood screws and/or fasteners.



4 MOUNT THE HOOD

WARNING 2 people are required to lift and position the hood onto the mounting screws.

- Lift the hood onto the mounting screws.
- Check level and mark bottom screw locations.
- Remove the hood.
- Drill $1/8\leq$ pilot holes in the marked location.
- If pilot holes do not enter studs, enlarge the holes to $3/8\leq$ and install metal wall fastener anchors (provided).
- Lift the hood onto the mounting screws.
- Install lower screws to pull the hood tight against the wall.
- Tighten the top mounting screws.

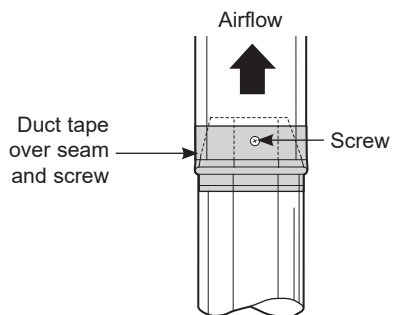


Installation Instructions

INSTALLATION—VENTED TO THE OUTSIDE

5 CONNECT DUCTWORK

- Remove shipping tape from the damper.
- Install ductwork, making connections in the direction of airflow as illustrated.
- Push duct over the exhaust outlet and damper.
- Secure joints in ductwork with sheet metal screws.
- Wrap all duct joints and the flange connections with duct tape for an airtight seal.



▲ CAUTION Do not use sheet metal screws at the hood flange connection. Doing so will prevent proper damper operation. Seal connection with tape only.

Installation Instructions

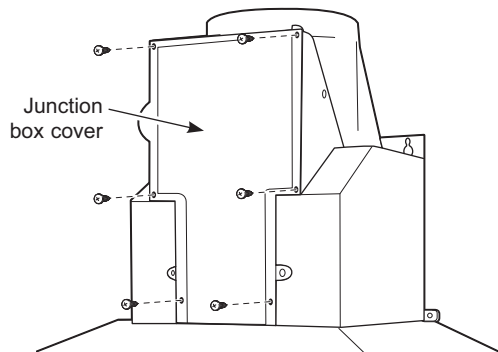
INSTALLATION—VENTED TO THE OUTSIDE

6 CONNECT ELECTRICAL

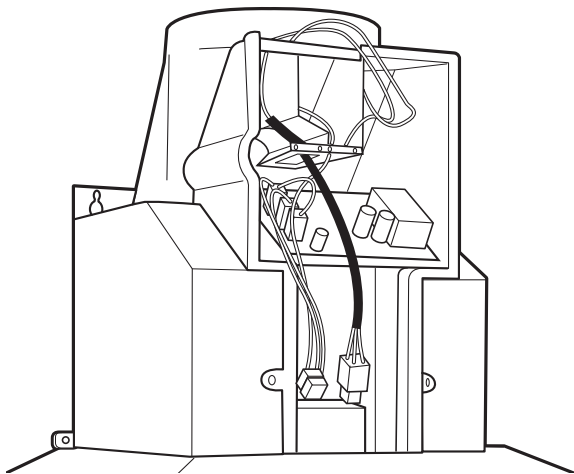
Verify that power is turned off at the source.

⚠ WARNING If house wiring is not 2-wire with a ground wire, a ground must be provided by the installer. When house wiring is aluminum, be sure to use U.L. approved anti-oxidant compound and aluminum-to-copper connectors.

- Remove the 6 screws on the junction box cover and the knockout on the top or left side.



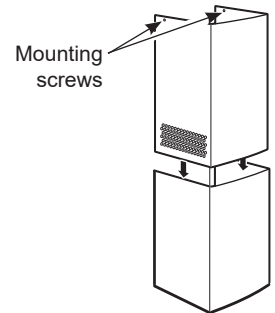
- Secure the house wiring to the junction box with a strain relief.



- Connect the white lead to the branch circuit white lead.
- Connect the black lead to the branch circuit black lead.
- Connect the green/yellow lead to the branch circuit green lead or bare ground lead.
- Secure all the connections with wire nuts on each electrical connector.
- Push the wires into the junction box and replace the cover. Be sure the wires are not pinched.
- Secure the junction box cover with the 6 original screws.

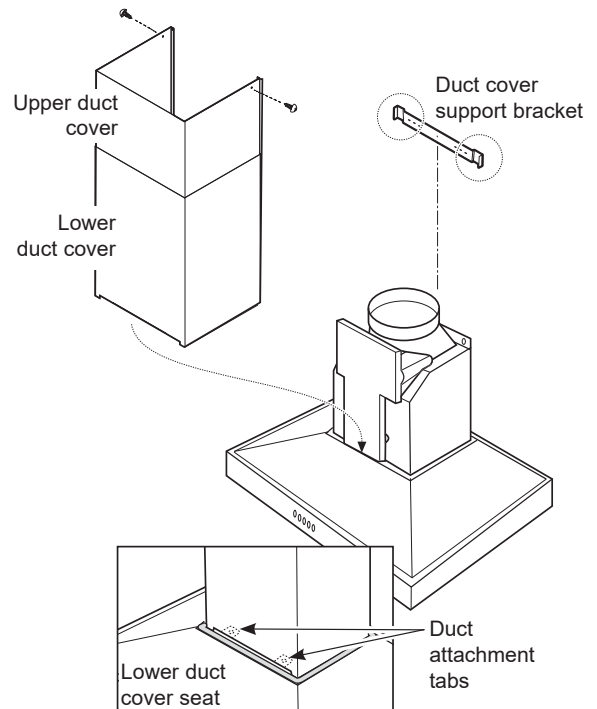
7 INSTALL DUCT COVERS

- Remove protective plastic covering.
- Place the decorative duct covers on top of the hood.

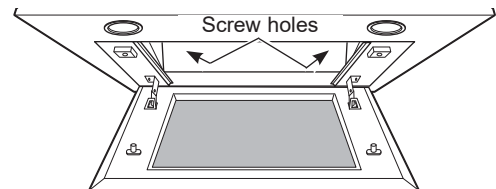


NOTE: The inside duct piece has vent holes on one end. The holes are intended for use when the hood is installed for recirculating purposes. Slide the inside end into the outer piece; the vent holes should not be visible in this installation.

The inside duct piece must slip into the folded ends of the outer section.



- Extend the inner duct upward to the ceiling bracket.



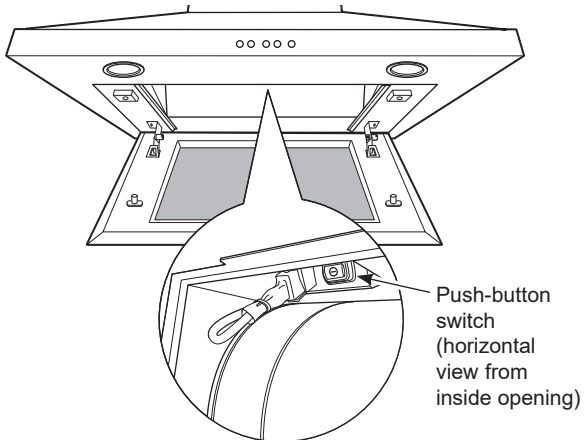
- Press up on the front corners of the filter cover panel to unlock. Lower the panel to access the filter.
- Locate the screw holes on the inside front edge of the opening. Install 2 screws to secure the duct cover to the hood.

Installation Instructions

INSTALLATION—VENTED TO THE OUTSIDE

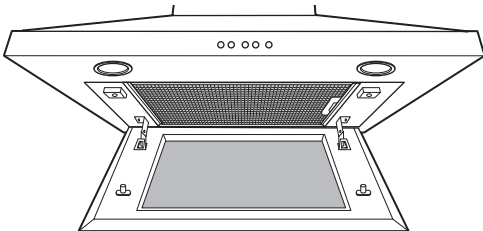
8 INSTALL FILTERS

IMPORTANT: Check to be sure that the main ON/OFF switch next to the motor is in the ON position.

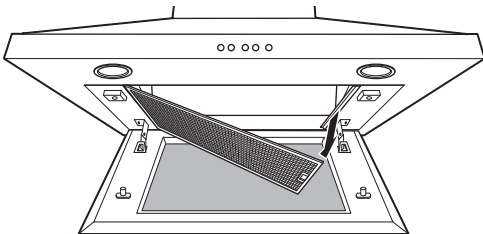


- Remove protective films on the grease filters and filter cover panel.

NOTE: The charcoal filter is not required for this installation.



- Tip the filter into the left or right side of the opening. Lift the filter to the opposite side and into the filter lock.
- To remove the filter, push the latch toward the center and pull downward.



- To close the filter cover panel, push up on both sides at the front corners to engage the latch.

9 FINALIZE INSTALLATION

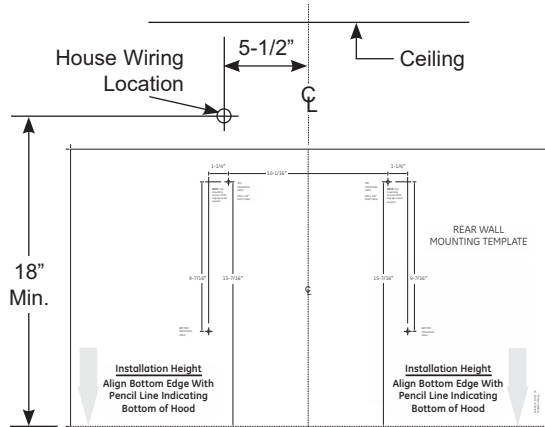
- Check to be sure all tape and packaging materials have been removed.
- Refer to the Owner's Manual for operating instructions.

Installation Instructions

INSTALLATION—RECIRCULATING

DUCTWORK, WIRING LOCATIONS

- Determine the exact location of the vent hood.
- Locate the template packed with the literature.
- Measure 36" from the floor to the top of the cooking surface. Add hood installation height determined on page 7. Mark that location.



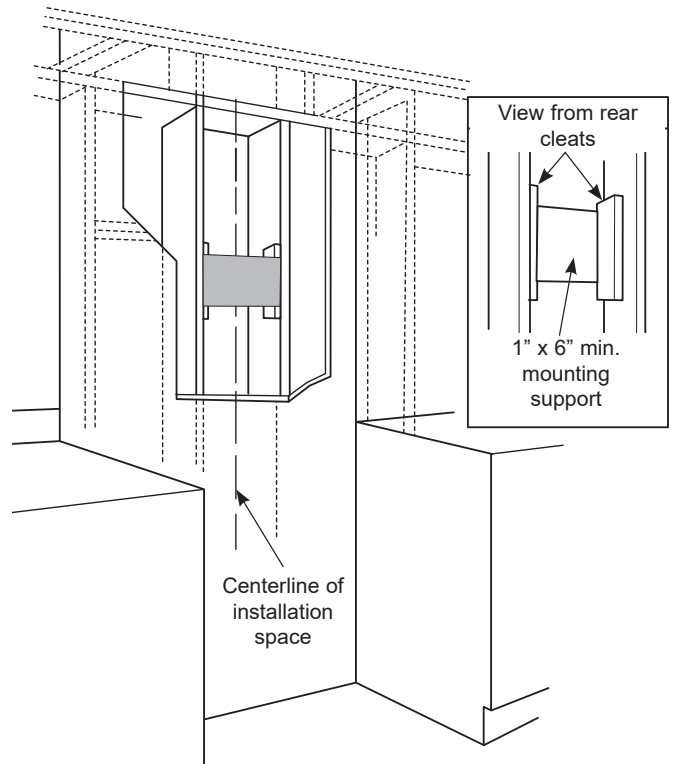
- Tape the template in position along the penciled line. **CHECK TO BE SURE THE TEMPLATE IS LEVEL.**
- Use a level to draw a line straight up, from the centerline on the template to the ceiling.

HOUSE WIRING LOCATION:

- The junction box is located on the top left side of the hood.
- Wiring should enter the back wall at least 18" above the bottom of the hood, and within 5-1/2" of the centerline.

1 INSTALL FRAMING FOR HOOD SUPPORT

IMPORTANT: Framing must be capable of supporting 100 lbs.



If drywall is present, mark the screw hole locations for the top mounting brackets. Remove the template.

- Cut away enough drywall to expose 2 vertical studs at the bracket location indicated on the template.
- Install a horizontal support at least 1" x 6" between two wall studs at the mounting screw location. The horizontal support must be flush with the room side of the studs. Use cleats behind both sides of the support to secure to wall studs.

IMPORTANT: Reinstall drywall for an even mounting surface.

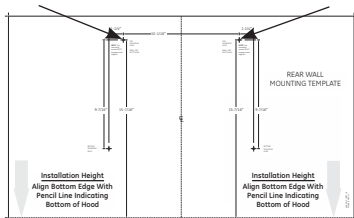
Installation Instructions

INSTALLATION—RECIRCULATING

2 INSTALL HOOD MOUNTING SCREWS

The mounting screws must enter the horizontal support or wall studs.

- With the template taped in place, use a punch to mark mounting bracket screw locations.
- Drill 1/8" pilot holes in 2 of the punched locations in the lower bracket.
- Remove the template.
- Install the mounting screws; leave 1/4" gap between the screw head and the wall. This will allow the keyhole slot on the hood frame to engage the screw head.



IMPORTANT: Use the mounting screws provided. DO NOT USE DRYWALL SCREWS.

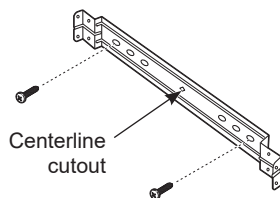
- Check to be sure the mounting screws are horizontally level.

3 INSTALL DUCT BRACKET

The duct bracket should be installed against the back wall and flush with the ceiling. This bracket will hold the duct cover in place at the top.

Secure the bracket to the wall:

- Align the diamond centerline cutout on the bracket to the penciled centerline on the wall.
- Mark 2 screw hole locations in the wall.
- Drill 1/8" pilot holes in the marked locations.
- If pilot holes do not enter wood studs, enlarge the holes to 3/8" and install metal wall fastener anchors (provided).
- If mounting directly to a masonry wall, obtain appropriate #10 masonry screw anchors. Drill and install per the fastener supplier's instructions.
- Drive screws, by hand, into the fasteners to allow anchors to expand. Remove the screws.
- Secure the bracket to the wall with wood screws and/or fasteners.

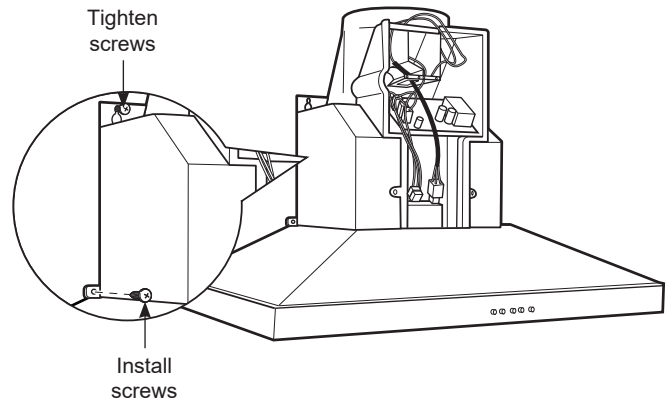


4 MOUNT THE HOOD

⚠ WARNING

2 people are required to lift and position the hood onto the mounting screws.

- Lift the hood onto the mounting screws.
- Check level and mark bottom screw locations.
- Remove the hood.
- Drill 1/8" pilot holes in the marked location.
- If pilot holes do not enter studs, enlarge the holes to 3/8" and install metal wall fastener anchors (provided).
- Lift the hood onto the mounting screws.
- Install lower screws to pull the hood tight against the wall.
- Tighten the top mounting screws.

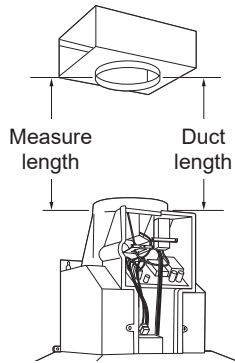


Installation Instructions

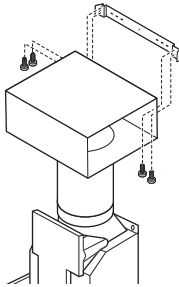
INSTALLATION—RECIRCULATING

5 SIZE AND CUT DUCT PIECE

- Hold upper air deflector with duct connector against the ceiling.
- Measure from the bottom of the air deflector to the top of the hood as shown. Reduce that dimension by 1" to facilitate installation. The duct will cover and overlap the deflector and the hood outlets.
- Cut the duct piece to size and slip onto the bottom of the deflector.
- Place the assembled deflector and duct over the exhaust outlet.
- Hold the assembly against the duct bracket.
- Drive 2 screws into each side of the bottom of the deflector and into the bracket.
- Use duct tape to seal duct to the deflector and at the exhaust outlet.



Deflector



Installation Instructions

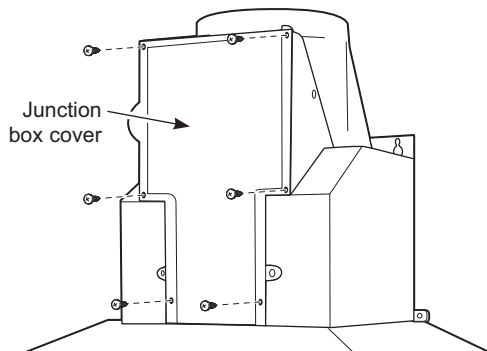
INSTALLATION—RECIRCULATING

6 CONNECT ELECTRICAL

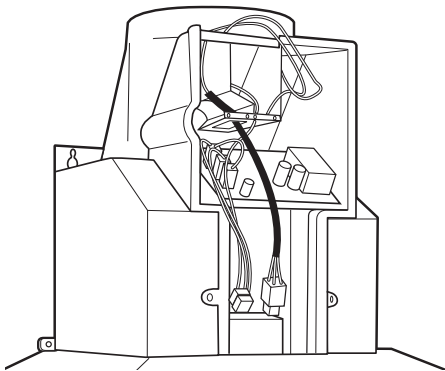
Verify that power is turned off at the source.

⚠ WARNING If house wiring is not 2-wire with a ground wire, a ground must be provided by the installer. When house wiring is aluminum, be sure to use U.L. approved anti-oxidant compound and aluminum-to-copper connectors.

- Remove the 6 screws on the junction box cover and the knockout on the top or left side.



- Secure the house wiring to the junction box with a strain relief.

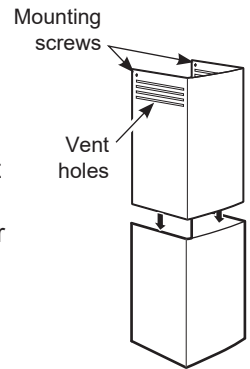


- Connect the white lead to the branch circuit white lead.
- Connect the black lead to the branch circuit black lead.
- Connect the green/yellow lead to the branch circuit green lead or bare ground lead.
- Secure all the connections with wire nuts on each electrical connector.
- Push the wires into the junction box and replace the cover. Be sure the wires are not pinched.
- Secure the junction box cover with the 6 original screws.

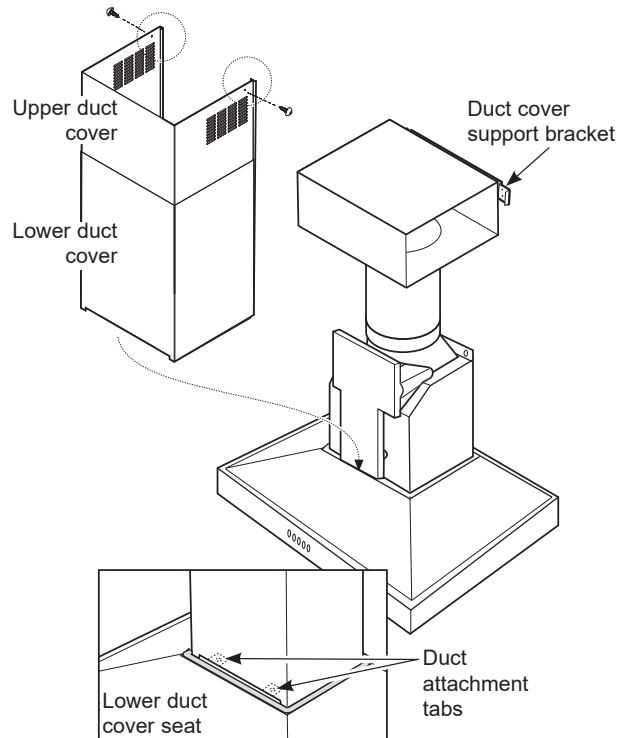
7 INSTALL DUCT COVERS

- Remove protective plastic covering.
- Place the decorative duct covers on top of the hood.

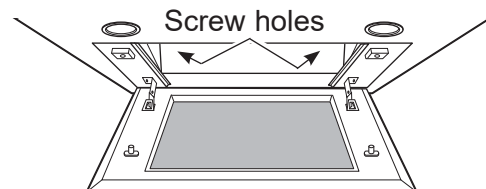
NOTE: The inside piece has vent holes on one end intended for use when the hood is installed for recirculating purposes. Be sure the vented end is at the top; the vent holes will be visible in this installation.



The inside duct piece must slip into the folded ends on the outer section.



- Extend the inner duct upward to the ceiling bracket.



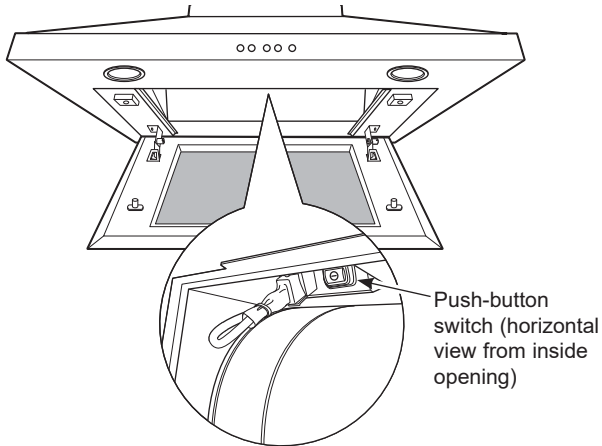
- Press up on the front corners of the filter cover panel to unlock. Lower the panel to access the filter.
- Locate the screw holes on the inside front edge of the opening. Install 2 screws to secure the duct cover to the hood.

Installation Instructions

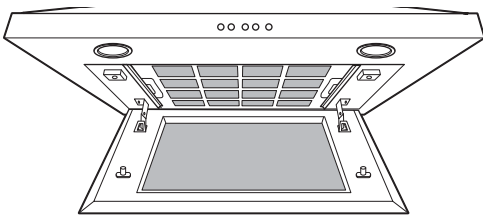
INSTALLATION—RECIRCULATING

8 INSTALL FILTERS

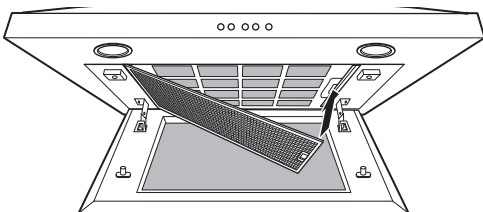
IMPORTANT: Check to be sure that the main ON/OFF switch next to the motor is in the ON position.



- Remove protective films on the grease filters and filter cover panel.
- Insert the black charcoal filter into the opening. Push the latch on both sides toward the center and engage the flange. Release latches to secure.



- To remove the filter, push the latches toward the center and pull downward.
- Install the metal grease filter into the hood support channels directly below the charcoal filter.



NOTE: The charcoal filter should not be used without the metal filter secured below.

- To close the filter cover panel, push up on both sides at the front corners to engage the latch.

9 FINALIZE INSTALLATION

- Remove all tape and packing material.
- Refer to the Owner's Manual for operating instructions.

Installation Instructions

NOTES

NOTE: While performing installations described in this book, safety glasses or goggles should be worn.

For Monogram® local service in your area, visit monogram.com.

NOTE: Product improvement is a continuing endeavor at Monogram Appliances. Therefore, materials, appearance and specifications are subject to change without notice.





INSTRUCTIONS D'INSTALLATION

**30" (76,2 cm) Hotte aspirante
ZV830**

FRANÇAIS

Consignes de sécurité

AVANT DE COMMENCER

Veillez lire attentivement ces instructions dans leur intégralité.

- **IMPORTANT** — Veuillez conserver ces instructions pour afin que l'inspecteur local puisse s'y référer.
- **IMPORTANT** — Respectez tous les codes réglementaires et les règlements.
- **Note destinée à l'installateur** — Assurez-vous de laisser ces instructions au client.
- **Note destinée au client** — Veuillez conserver ces instructions avec votre manuel utilisateur afin de pouvoir vous y référer ultérieurement.
- **Niveau de compétence** — l'installation de cet appareil requiert des compétences en matière de mécanique et d'électricité.
- **Durée d'assemblage** — 1 à 3 heures.
- L'installation incombe à l'installateur. Si le produit connaît une défaillance due à une installation inappropriée, la garantie ne s'applique pas.
- Pour le service de Monogram au Canada, visitez notre site Web à l'adresse **monogram.ca**.
- Pour les pièces et accessoires de Monogram, visitez notre site Web à l'adresse **monogram.ca**.

ATTENTION À cause du poids et de la taille de ces hottes et pour réduire le risque de blessures et de dommages, **IL FAUT DEUX PERSONNES POUR FAIRE L'INSTALLATION CORRECTEMENT.**

AVERTISSEMENT Pour réduire le risque d'incendie ou de choc électrique, il ne faut pas utiliser cette hotte avec un régulateur de vitesse électronique externe. Toute modification de ce type du branchement d'usine peut endommager l'appareil ou créer un risque de choc électrique. **AFIN DE RÉDUIRE LE RISQUE D'INCENDIE, N'UTILISEZ QUE DES CONDUITS MÉTALLIQUES.**

AVERTISSEMENT POUR RÉDUIRE LE RISQUE D'INCENDIE, DE CHOC ÉLECTRIQUE OU DE BLESSURES, IL FAUT OBSERVER LES RÈGLES SUIVANTES :

- A. Utilisez cet appareil uniquement de la manière prévue par le fabricant. En cas de question, consultez le fabricant.
- B. Avant toute intervention ou nettoyage, coupez l'alimentation électrique au disjoncteur et verrouillez le panneau du disjoncteur pour éviter la mise sous tension accidentelle. S'il n'est pas possible de verrouiller le panneau du disjoncteur, attachez un placard ou une étiquette très visible au panneau.

ATTENTION UNIQUEMENT À DES FINS DE VENTILATION. NE L'UTILISEZ PAS POUR ÉVACUER DES SUBSTANCES DANGEREUSES, DES MATÉRIAUX EXPLOSIFS OU DES VAPEURS.

AVERTISSEMENT AFIN DE RÉDUIRE LE RISQUE D'INCENDIE, LES ÉLECTROCUTIONS OU LES BLESSURES AUX PERSONNES, VEUILLEZ RESPECTER CE QUI SUIT :

- L'installation et le câblage électrique doivent être effectués par des personne(s) qualifiée(s) conformément aux règlements et normes applicables, dont ceux relatifs à la construction ignifuge.
- Une quantité suffisante d'air est nécessaire pour la combustion et l'évacuation des gaz via le carneau (hotte) de l'équipement à carburant afin d'éviter une contre-explosion. Veuillez suivre les consignes du fabricant de l'appareil de chauffage et les normes de sécurité, telles que celles publiées par l'Association nationale de protection anti-incendie (NFPA), l'association américaine des ingénieurs du chauffage, de la réfrigération et de la climatisation (ASHRAE) ainsi que les autorités locales. Le cas échéant, installez un système de compensation d'air (remplacement) conformément aux conditions des codes locaux du bâtiment.
- Lorsque vous coupez ou percez des murs ou des plafonds, veillez à ne pas endommager les câbles électriques et autres applications cachées par le mur.
- Les systèmes de conduits doivent toujours être ventilés vers l'extérieur.
- Les règlements locaux sont susceptibles de varier. L'installation de raccords électriques et de mise à la terre doivent être conformes aux réglementations applicables. En l'absence de règlements, l'évent doit être installé conformément au code électrique national ANSI/NFPA 70-1990 ou version plus récente.

ATTENTION Il faut prendre soin d'installer un conduit vers l'extérieur pour réduire le risque d'incendie et pouvoir évacuer l'air correctement. Il ne faut pas évacuer l'air dans l'espace entre les parois d'un mur, un plafond ou un grenier, un espace sanitaire ou un garage.

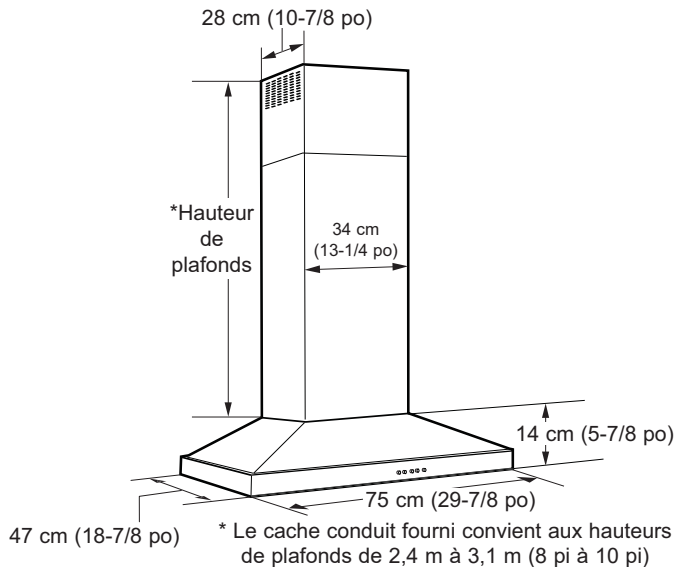
LISEZ ET CONSERVEZ CES INSTRUCTIONS

Consignes de conception

TABLE DES MATIÈRES

Consignes de sécurité	2	Étape 3, Installer le support de canalisation	10
Caractéristiques		Étape 4, Monter la hotte	10
Dimensions et intervalles	3	Étape 5, Connecter la canalisation	11
Options d'installation	3	Étape 6, Connecter les parties électriques	12
Préparation à l'installation		Étape 7, Installer les caches de conduit	12
Planification, canalisations, encadrement	4	Étape 8, Installer les filtres	13
Alimentation.....	4	Étape 9, Terminer l'installation	13
Raccords de canalisation	5	Installation—Recyclage	
Outils et matériaux nécessaires	6	Emplacement des canalisations et des câbles	14
Retirer l'emballage	6	Étape 1, Installer l'encadrement pour la fixation de la hotte.....	14
Définition de la hauteur d'installation	7	Étape 2, Installer les vis d'assemblage de la hotte.....	15
Hauteurs d'installation sur le mur.....	7	Étape 3, Installer le support de canalisation	15
Vérification du matériel d'installation.....	8	Étape 4, Monter la hotte	15
Installation—Ventilé vers l'extérieur		Étape 5, Mesurer et couper le conduit.....	16
Emplacement des canalisations et des câbles	9	Étape 6, Connecter les parties électriques	17
Étape 1, Installer l'encadrement pour la fixation de la hotte...9		Étape 7, Installer les caches de conduit	17
Étape 2, Installer les vis d'assemblage de la hotte.....	10	Étape 8, Installer les filtres	18
		Étape 9, Terminer l'installation.....	18

DIMENSIONS ET INTERVALLES

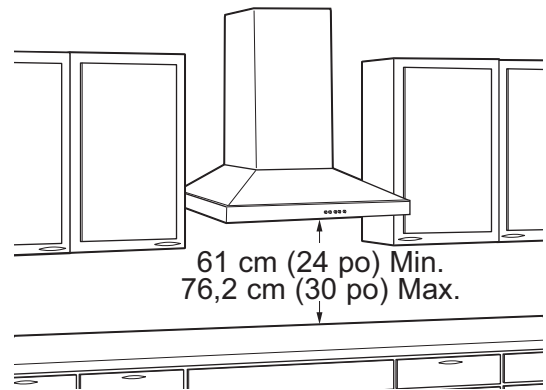


La hotte d'aspiration doit être installée à au moins 60 cm (24 po), et 76 cm (30 po) au-dessus de la surface de cuisson. La hauteur d'installation de la hotte au-dessus de la surface de cuisson dépend de la hauteur de plafond.

Le couvercle télescopique dissimule les conduits partant du haut de la hotte jusqu'au plafond. Le cache fourni s'adapte aux hauteurs de plafond de 2,4 m à 3,1 m (8 pi à 10 pi). Consultez page 7.

Accessoire ZX83012 – Un accessoire pour conduit pour hauteurs de plafond de 3,1 m à 3,7 m (10 pi à 12 pi). Consultez page 7.

OPTIONS D'INSTALLATION



NOTE : La hauteur d'installation doit être mesurée à partir de la surface de caisson à la partie la plus basse de la hotte.

Cette hotte doit être installée sur un mur et ventilée vers l'extérieur, ou elle peut être installée pour l'opération de recyclage. Toutes les parties nécessaires à l'opération de recyclage sont fournies avec la hotte. Aucun kit n'est nécessaire.

Cette hotte peut être installée sur une table de cuisson Monogram de 76,2 cm (30 po) ou une cuisinière à gaz.

LISEZ ET CONSERVEZ CES INSTRUCTIONS

Préparation à l'installation

PLANIFICATION

- Déterminez l'emplacement de la hotte aspirante.
- Planifiez le parcours du conduit d'échappement vers l'extérieur.
- Faites en sorte que le parcours soit le plus court et le plus droit possible. Pour des performances optimales, le parcours du conduit ne doit pas dépasser 3 m (100 pi) de longueur équivalente pour des configurations de conduit.
- Reportez-vous au tableau Raccords de conduit figurant sur la page 5 pour calculer la longueur maximale acceptable pour les parcours de conduit vers l'extérieur.
- Le cas échéant, installez un système de compensation d'air (remplacement) conformément aux conditions des codes locaux du bâtiment.

⚠ ATTENTION

Il faut prendre soin d'installer un conduit vers l'extérieur pour réduire le risque d'incendie et pouvoir évacuer l'air correctement. Il ne faut pas évacuer l'air dans l'espace entre les parois d'un mur, un plafond ou un grenier, un espace sanitaire ou un garage.

⚠ AVERTISSEMENT

AFIN DE RÉDUIRE LE RISQUE D'INCENDIE, N'UTILISEZ QUE DES CONDUITS MÉTALLIQUES.

- Installez une protection murale avec registre ou une protection de toiture sur l'ouverture extérieure. Commandez la protection de toiture ou murale et tout raccord à l'avance.

Support mural pour une fixation adéquate

- Cette hotte aspirante est lourde. Un support de structure adéquat doit être fourni sur tous les types d'installation. La hotte doit être fixée sur des chevilles verticales dans le mur, ou sur un support horizontal.
- La hotte aspirante doit se trouver sur le site avant l'encadrement final et la finition murale. Ceci permettra de repérer les conduits et le compartiment électrique.
- L'installation sera plus facile si la hotte est installée avant la table de cuisson et le plan de travail.

ACCESSOIRE CACHE CONDUIT

Cette hotte est dotée d'un cache conduit décoratif pour des hauteurs de plafonds de 2,20 à 2,40 m (7 pi 11 po à 10 pi). Le cache conduit ZX83012 est disponible pour atteindre les hauteurs de plafonds de 3 m à 3,40 m (10 pi 1 po à 12 pi). L'accessoire doit être commandé avec la hotte et se trouver sur le site avant de procéder à l'installation.

ALIMENTATION

IMPORTANT – (À lire attentivement)

⚠ AVERTISSEMENT

POUR DES RAISONS DE SÉCURITÉ, CET APPAREIL DOIT ÊTRE CORRECTEMENT MIS À LA TERRE.

Retirez le fusible de votre domicile ou ouvrez le disjoncteur avant de procéder à l'installation.

N'utilisez pas de cordon de rallonge ou de prise adaptateur avec cet appareil. Veuillez suivre les codes électriques nationaux ou les codes locaux et les réglementations.

Alimentation électrique

Ces hottes aspirantes doivent être utilisées avec du courant de type 120 V, 60 Hz et connectées à un circuit correctement mis à la terre et protégées par un disjoncteur de type 15 ou 20 Amp ou un fusible de surcharge.

- Le raccordement doit être assuré par deux 2 câbles mise à la terre.
- Si l'alimentation électrique ne répond pas aux exigences ci-dessus, appelez un électricien agréé avant de continuer.
- Placez les câbles à proximité de l'emplacement de l'installation dans le plafond ou le mur arrière. Reportez-vous aux emplacements des câbles de la page 9.
- Connectez les câbles de la hotte au domicile conformément aux codes locaux.

Consignes relatives à la mise à la terre

Le conducteur de terre doit être connecté à un système métallique permanent de câbles raccordés à la terre ou à une borne de mise à la terre ou au câble de la hotte.

⚠ AVERTISSEMENT

Le mauvais branchement du fil de mise à la terre peut causer un choc électrique. En cas de doute, consultez un électricien qualifié ou un technicien pour déterminer si l'appareil est à la terre.

⚠ ATTENTION

Appareil commandé automatiquement. Afin de réduire les risques de blessure, débranchez l'appareil de l'alimentation électrique avant de procéder à une réparation. L'appareil est équipé d'un sectionneur intégral situé à l'intérieur du logement du ventilateur.

Préparation à l'installation

RACCORDS DE CANALISATION

Cette hotte doit utiliser un conduit rond de 20 cm (8 po) raccordant à un tuyau 8 cm x 30 cm (3-1/4 po x 12 po).

Reportez-vous au tableau pour calculer les longueurs maximales autorisées pour les conduits vers l'extérieur.

REMARQUE : Ne dépassez pas les longueurs maximales autorisées !


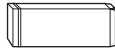
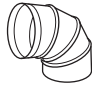

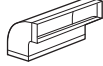
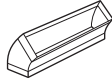
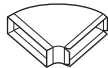
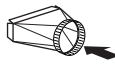
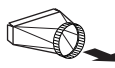
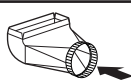
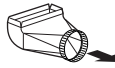
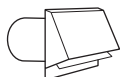
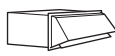

Longueur maximale de conduit : 30 m (100 pi) pour les hottes de cuisinière.

Conduit flexible :

En cas d'utilisation de conduits métalliques flexibles, les valeurs en pieds figurant dans le tableau doivent être doublées. Le conduit métallique flexible doit être droit et lisse et étiré au maximum.

N'utilisez PAS de conduit en plastique flexible.

REMARQUE : Tout système de ventilation domestique tel qu'une hotte aspirante, est susceptible d'interrompre le débit d'air et de fumées de combustion requis pour les cheminées, fours à gaz, les chauffe-eau à gaz et autres systèmes naturellement ventilés. Afin de réduire les probabilités d'interruption de ces systèmes naturellement ventilés, nous vous recommandons de suivre les consignes du fabricant de l'équipement de chauffage et les normes de sécurité telles que celles publiées par la NFPA et l'ASHRAE. Le cas échéant, installez un système de compensation d'air (remplacement) conformément aux conditions des codes locaux du bâtiment.

Conduit	Dimensions	Longueur équivalente*	Quantité utilisée	Longueur total équivalente
	Rond droit	30 cm (1 pied) (par longueur en pied)		
	Droit 8 cm x 30 cm (3-1/4 po x 12 po)	30 cm (1 pied) (par longueur en pied)		
	Coude 90°	5 m (17 pieds)		
	Coude 45°	3 m (10 pieds)		
	Coude 90° 8 cm x 30 cm (3-1/4 po x 12 po)	13 m (43 pieds)		
	Coude 45° 8 cm x 30 cm (3-1/4 po x 12 po)	7,90 m (26 pieds)		
	Coude plat 90° 8 cm x 30 cm (3-1/4 po x 12 po)	32 m (102 pieds)		
	Rond 20 cm (8 po) pour raccord 8 cm x 30 cm (3-1/4 po x 12 po)	60 cm (2 pieds)		
	8 cm x 30 cm (3-1/4 po x 12 po) pour raccord rond 20 cm (8 po)	1,5 m (5 pieds)		
	Rond 20 cm (8 po) pour raccord en coude 90° 8 cm x 30 cm (3-1/4 po x 12 po)	1,8 m (6 pieds)		
	8 cm x 30 cm (3-1/4 po x 12 po) pour raccord rond 20 cm (8 po) en coude 90°	3,96 m (13 pieds)		
	Cache mur rond avec registre	9,7 m (32 pieds)		
	Cache mur 9 cm x 30 cm (3-1/4 po x 12 po) avec registre	22,9 m (75 pieds)		
	Cache rond pour toiture	13 m (44 pieds)		

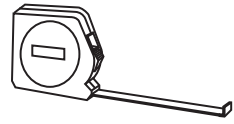
*Longueur réelle du conduit droit plus le raccord de conduit équivalent.
Longueur équivalente des conduits basée sur les tests par les ingénieurs GE Appliances et satisfaisant aux exigences pour de bonnes performances en termes de ventilation de toute hotte aspirante.

Parcours total des conduits _____

Préparation à l'installation

OUTILS ET MATÉRIAUX NÉCESSAIRES (NON FOURNIS)

- Mètre ruban
- Couteau
- Niveau à bulle d'air
- Coupe-fils/outil à dénuder les fils
- Serre-fils
- Perceuse électrique avec forets 3,2 mm et 9,5 mm (1/8 po et 3/8 po)
- Tournevis cruciforme et tournevis à tête plate
- Marteau
- Pincès
- Lunettes de protection
- Ruban aluminisé
- Ruban pour monter le gabarit
- Gants pour protéger contre les lames tranchantes
- 2 câbles 120 V 60 Hz. 15 ou 20 Amp avec circuit correctement mis à la terre
- Réducteur de tension pour couvercle de connexion
- Conduit métallique rond 20 cm (8 po), longueur conforme à l'installation
- Scie, scie sauteuse ou scie alternative
- Cisailles à étain



Mètre à ruban



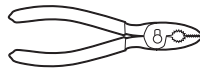
Niveau à bulle d'air



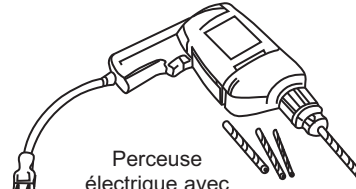
Gants



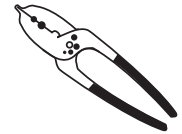
Couteau



Pincès



Perceuse électrique avec forets 3,2 mm et 9,5 mm (1/8 po et 3/8 po)



Coupe-fils/ Outil à dénuder



Ruban aluminisé



Lunettes de protection



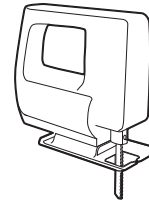
Marteau



Réducteur de tension



30 cm (12 po) min. Tournevis cruciforme



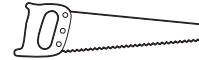
Tournevis à tête plate



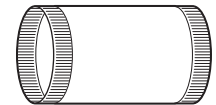
Serre-fils



Ruban-cache



Scie, scie sauteuse ou scie alternative



Conduit métallique rond de 20 cm (8 po) conforme à l'installation.



Cisailles étain

RETIRER L'EMBALLAGE

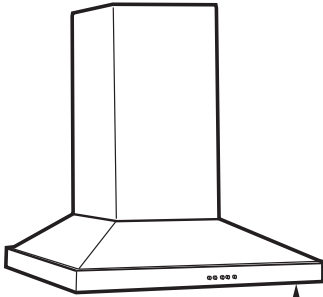
ATTENTION Veillez à porter des gants afin de vous protéger contre les lames tranchantes.

- Retirez les caches conduit.
- Retirez la boîte de pièces et autres pièces. Consultez le manuel utilisateur.
- Retirez et jetez les emballages plastiques de protection et autres matériaux d'emballage.

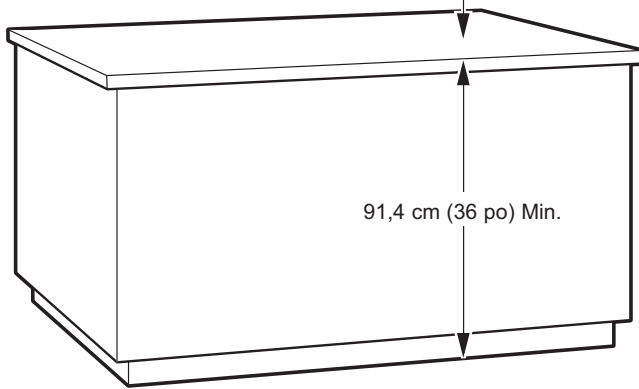
Préparation à l'installation

DÉFINITION DE LA HAUTEUR D'INSTALLATION

- Les caches conduit télescopiques servent à dissimuler les conduits allant jusqu'au plafond.
- Cette hotte peut être installée pour l'opération de recyclage. Aucun kit n'est nécessaire.



61 cm (24 po) Min.
76,2 cm (30 po) Max.



91,4 cm (36 po) Min.

REMARQUE : La hauteur d'installation doit être mesurée à partir de la surface de caisson à la partie la plus basse de la hotte.

La hotte d'aspiration doit être installée à au moins 60 cm et 76 cm (24 po et 30 po) au-dessus de la surface de cuisson. La hauteur d'installation de la hotte au-dessus de la surface de cuisson dépend de la hauteur de plafond.

ACCESSOIRES

La cache conduit ZX83012 est disponible pour les plafonds de 3 m à 3,60 m (10 pi à 12 pi). Il s'agit d'un cache conduit d'une longueur de 122 cm (48 7/8 po).

Support mural ZV830 Hauteurs d'installation

Hauteur de plafond réelle	Hauteur d'installation VENTILÉE*	Hauteur d'installation de RECYCLAGE*	
7 pi 11 po	24 po	24 po	FOURNI
8 pi 0 po	24 po à 25 po	24 po à 25 po	
8 pi 1 po	24 po à 26 po	24 po à 26 po	
8 pi 2 po	24 po à 27 po	24 po à 27 po	
8 pi 3 po	24 po à 28 po	24 po à 28 po	
8 pi 4 po	24 po à 29 po	24 po à 29 po	
8 pi 5 po à 9 pi 6 po	24 po à 30 po	24 po à 30 po	
9 pi 7 po	25 po à 30 po	24 po à 30 po	
9 pi 8 po	26 po à 30 po	24 po à 30 po	
9 pi 9 po	27 po à 30 po	24 po à 30 po	
9 pi 10 po	28 po à 30 po	24 po à 30 po	
9 pi 11 po	29 po à 30 po	25 po à 30 po	
10 pi 0 po	30 po	26 po à 30 po	
10 pi 1 po		27 po à 30 po	
10 pi 2 po		28 po à 30 po	
10 pi 3 po		29 po à 30 po	
10 pi 4 po		30 po	
9 pi 7 po	24 po		ACCESSOIRE ZX83012
9 pi 8 po	24 po à 25 po		
9 pi 9 po	24 po à 26 po		
9 pi 10 po	24 po à 27 po		
9 pi 11 po	24 po à 28 po	24 po	
10 pi 0 po	24 po à 29 po	24 po à 25 po	
10 pi 1 po	24 po à 30 po	24 po à 26 po	
10 pi 2 po	24 po à 30 po	24 po à 27 po	
10 pi 3 po	24 po à 30 po	24 po à 28 po	
10 pi 4 po	24 po à 30 po	24 po à 29 po	
10 pi 5 po	24 po à 30 po	24 po à 30 po	
10 pi 6 po à 11 pi 6 po	24 po à 30 po	24 po à 30 po	
11 pi 7 po	25 po à 30 po	24 po à 30 po	
11 pi 8 po	26 po à 30 po	24 po à 30 po	
11 pi 9 po	27 po à 30 po	24 po à 30 po	
11 pi 10 po	28 po à 30 po	24 po à 30 po	
11 pi 11 po	29 po à 30 po	25 po à 30 po	
12 pi 0 po	30 po	26 po à 30 po	

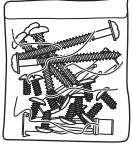
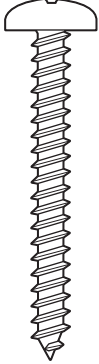
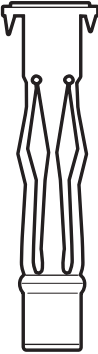
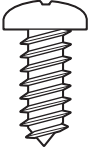
*Basé sur la hauteur du plan de travail de 91 cm (36 po)

Préparation à l'installation

VÉRIFICATION DU MATÉRIEL D'INSTALLATION

Inspectez le paquet de l'appareil emballé avec la hotte et vérifiez le contenu.

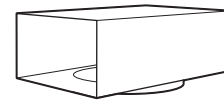
EMBALLAGE DU MATÉRIEL
Repérez et comptez les vis

6 vis à bois (#10 45 mm [1-3/4 po] de longueur)

4 chevilles murales (79 mm [5/16 po])

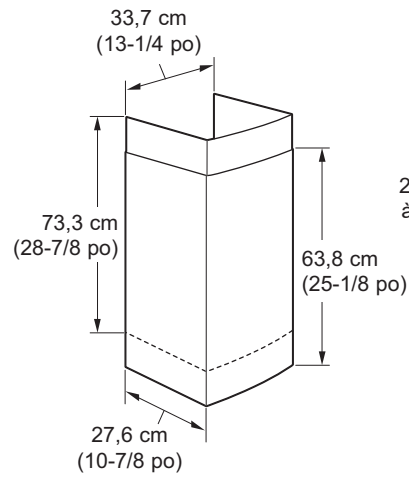
8 vis de couvercle de conduit et de déflecteur d'air (vis #8 de 95 mm [3/8 po] long formant un fileté)



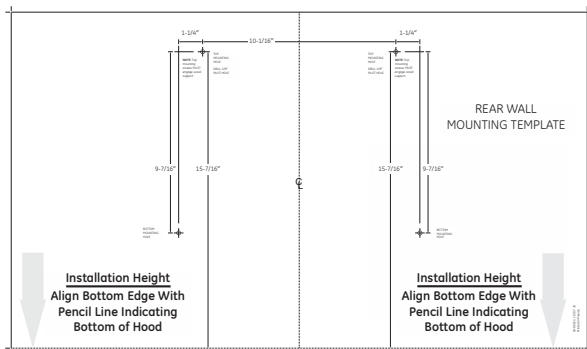
Collecteur d'air pour installation de recyclage uniquement



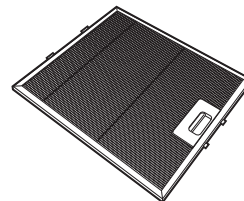
Support de conduit



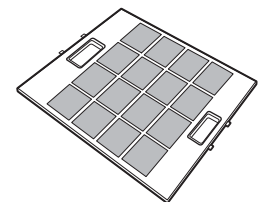
Cache conduit décoratif
2 pièces (dimension fournie à titre indicatif uniquement)



Calibre de support mural



Filtre en acier inoxydable



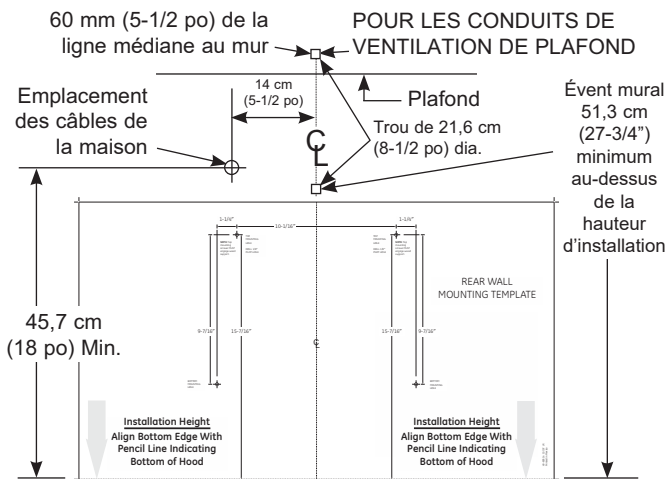
1 filtre à charbon actif pour installation de recyclage

Instructions d'installation

INSTALLATION—VENTILÉ VERS L'EXTÉRIEUR

EMPLACEMENT DES CANALISATIONS ET DES CÂBLES

- Déterminez l'emplacement de la hotte aspirante.
- Identifiez le gabarit emballé avec les manuels.
- Mesurez 91 cm (36 po) partir du sol jusqu'au dessus de la surface de cuisson. Ajoutez la hauteur d'installation de la hotte sur la page 7. Marquez cet emplacement.
- Utilisez un niveau pour tracer une ligne au stylo sur le mur.



- Enfoncez le gabarit le long de la ligne tracée au stylo. ASSUREZ-VOUS QUE LE GABARIT EST BIEN NIVELÉ.

Conduit de plafond :

Si les conduits ventile directement vers les plafonds :

- Utilisez un niveau pour tracer une ligne droite de la ligne médiane du gabarit jusqu'au plafond.
- Mesurez 60 mm (5-1/2 po) du mur arrière jusqu'à la ligne médiane d'un trou de 96 mm (8-1/2 po) dans le plafond.

REMARQUE : En l'absence de cloison sèche, ajoutez l'épaisseur de cloison d'une dimension de 62 mm (5-1/2 po).

Conduit mural :

Si les conduits ventile directement vers l'arrière :

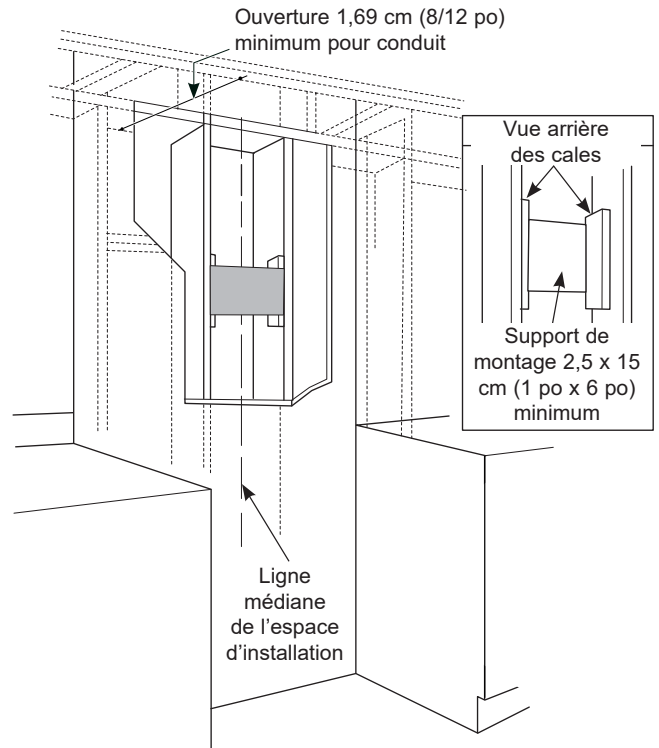
- Utilisez un niveau pour tracer une ligne droite de la ligne médiane du gabarit.
- Mesurez au moins 51 cm (27-3/4 po) au-dessus de la ligne tracée au stylo indiquant la hauteur d'installation inférieure, jusqu'à la ligne médiane d'un trou de 9,6 cm (8-1/2 po) de diamètre pour tuyau. (Le trou peut être agrandi pour le coude de tuyau.)

EMPLACEMENT DES CÂBLES DE LA MAISON :

- La boîte à bornes est située sur le côté supérieur gauche de la hotte.
- Les câbles doivent pénétrer dans le mur arrière d'au moins 45 cm (18 po) au-dessus de la partie inférieure de la hotte, et entre 9,6 cm (5-1/2 po) du côté gauche de la ligne médiane.

1 INSTALLER L'ENCADREMENT POUR LA FIXATION DE LA HOTTE

IMPORTANT : L'encadrement doit être capable de supporter 45 kg (100 livres).



En présence d'une cloison sèche, marquez les emplacements des trous de vis pour les supports de montage supérieurs. Retirez le gabarit.

- Coupez suffisamment dans la cloison sèche afin d'exposer 2 chevilles verticales à l'emplacement du support indiqué sur le gabarit.
- Installez un support horizontal aux dimensions 2,5 cm x 15 cm (1 po x 6 po) entre les deux chevilles murales sur l'emplacement de la vis de montage. **Le support horizontal doit être encastré dans le côté pièce des chevilles.** Placez des cales devant les deux côtés du support afin de fixer les chevilles murales.

IMPORTANT : Réinstallez la cloison sèche pour une surface de cuisson.

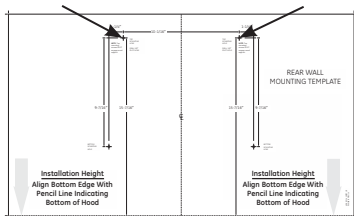
Instructions d'installation

INSTALLATION—VENTILÉ VERS L'EXTÉRIEUR

2 INSTALLER LES VIS D'ASSEMBLAGE DE LA HOTTE

Les deux vis de montage du haut doivent pénétrer dans le support horizontal ou les chevilles murales.

- Une fois le gabarit en place, utilisez un poinçon pour marquer les emplacements des vis du support de montage.
- Percez les trous 31 mm (1/8 po) aux 2 emplacements poinçonnés sur le support inférieur.
- Retirez le calibre.
- Installez les vis de montage; veillez à laisser un espace de 50 mm (1/4 po) entre la tête de la vis et le mur. La rainure du cadre de la hotte introduira la tête de la vis.



IMPORTANT : Utilisez les vis de montage fournis. N'UTILISEZ PAS DE VIS POUR CLOISON SÈCHE.

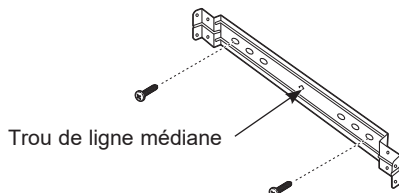
- Vérifiez si les vis de montage sont horizontalement alignées.

3 INSTALLER LE SUPPORT DE CANALISATION

Le support de conduit doit être installé contre le mur arrière et aligné sur le plafond. Ce support maintiendra en place le cache conduit sur la partie supérieure.

Fixez le support sur le mur :

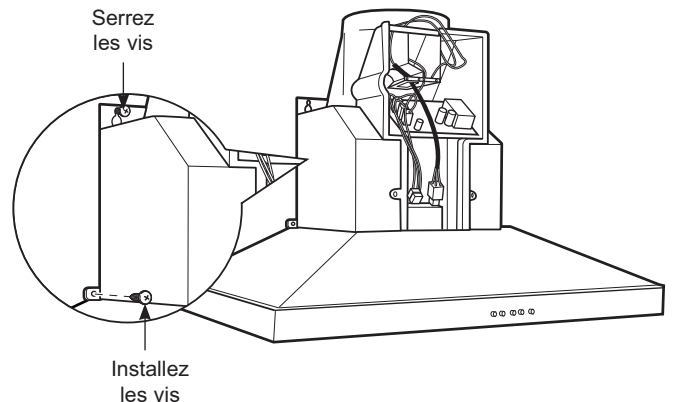
- Alignez la découpe de la ligne médiane sur le support avec la ligne médiane tracée au stylo sur le mur.
- Marquez 2 emplacements de trous sur le mur.
- Percez les trous 30 mm (1/8 po) sur les emplacement marqués.
- Si les trous sont trop petits pour les chevilles, agrandissez les trous jusqu'à 95 mm (3/8 po) et des installez des fixations métalliques murales (fournies).
- Si vous le montez directement sur un mur en maçonnerie, munissez-vous de 10 douilles à expansion de maçonnerie. Percez et installez conformément aux instructions du fournisseur des fixations.
- Placez les vis à la main dans les fixations afin que les douilles s'élargissent. Retirez les vis.
- Fixez le support au mur à l'aide des vis à bois et/ou des fixations.



4 MONTER LA HOTTE

⚠ AVERTISSEMENT 2 personnes doivent être présentes pour soulever et positionner la hotte sur les vis de montage.

- Soulevez la hotte sur les vis de montage.
- Vérifiez le niveau et marquez les emplacements des vis du bas.
- Retirez la hotte.
- Percez les trous 30 mm (1/8 po) sur l'emplacement marqué.
- Si les trous sont trop petits pour les chevilles, agrandissez les trous jusqu'à 95 mm (3/8 po) et des installez des fixations métalliques murales (fournies).
- Soulevez la hotte sur les vis de montage.
- Installez les vis inférieures pour fixer la hotte contre le mur.
- Vissez les vis de montage supérieures.

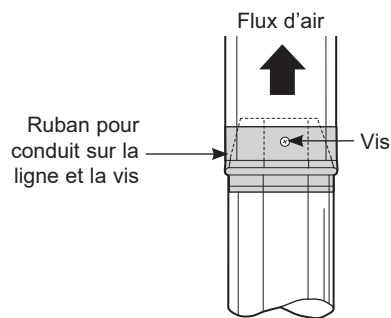


Instructions d'installation

INSTALLATION—VENTILÉ VERS L'EXTÉRIEUR

5 CONNECTER LA CANALISATION

- Retirez le ruban d'expédition du registre.
- Installez les conduits, en veillant à ce que les branchements suivent la direction du flux d'air comme indiqué.
- Enfoncez le conduit dans la prise d'échappement et le registre.
- Fixez les joints des conduits à l'aide de vis à feuille métallique.
- Enveloppez les joints de conduit et les raccords de brides à l'aide de ruban pour conduits pour une étanchéité à l'air.



ATTENTION

Il ne faut pas utiliser de vis autotourdeuses à la connexion du collet de la hotte. Ceci empêcherait le bon fonctionnement du registre. N'utiliser que du ruban adhésif pour assurer l'étanchéité du raccord.

Instructions d'installation

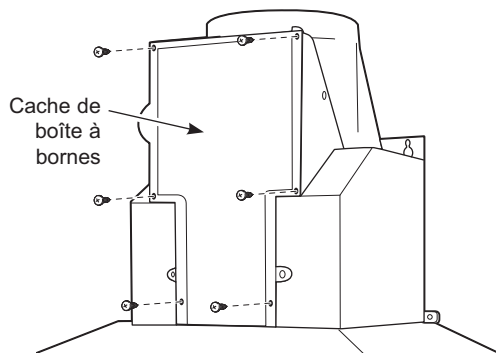
INSTALLATION—VENTILÉ VERS L'EXTÉRIEUR

6 CONNECTER LES PARTIES ÉLECTRIQUES

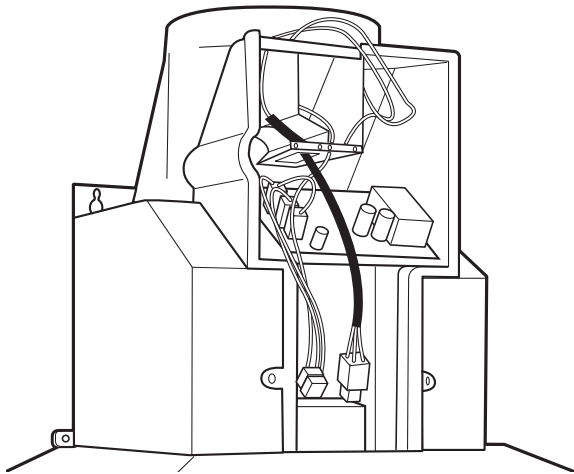
Vérifiez que l'alimentation est coupée à la source.

⚠ AVERTISSEMENT Si la maison n'est pas câblée avec deux fils et un fil de terre, l'installateur doit installer un fil de terre. Quand les fils sont en aluminium, il faut prendre soin d'utiliser des connecteurs aluminium à cuivre avec une pâte antioxydante approuvée par U.L.

- Retirez les 6 vis du cache de la boîte à bornes et l'éjecteur sur le côté supérieur ou le côté gauche.



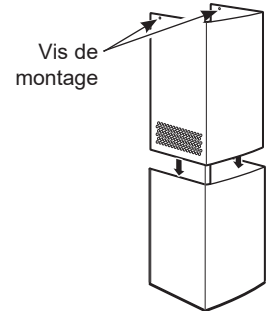
- Fixez les câbles domestiques à la boîte à bornes à l'aide d'un réducteur de tension.



- Connectez le câble blanc au câble blanc du circuit.
- Connectez le câble noir au câble noir du circuit.
- Connectez le câble vert/jaune au câble vert ou câble de terre nu du circuit.
- Fixez tous les branchements à l'aide de serre-fils sur chaque connecteur électrique.
- Fixez les câbles domestiques à la boîte à bornes et remplacez le cache. Assurez-vous que les câbles ne sont pas coincés.
- Fixez le cache de la boîte à bornes à l'aide des 6 vis originales.

7 INSTALLER LES CACHES DE CONDUIT

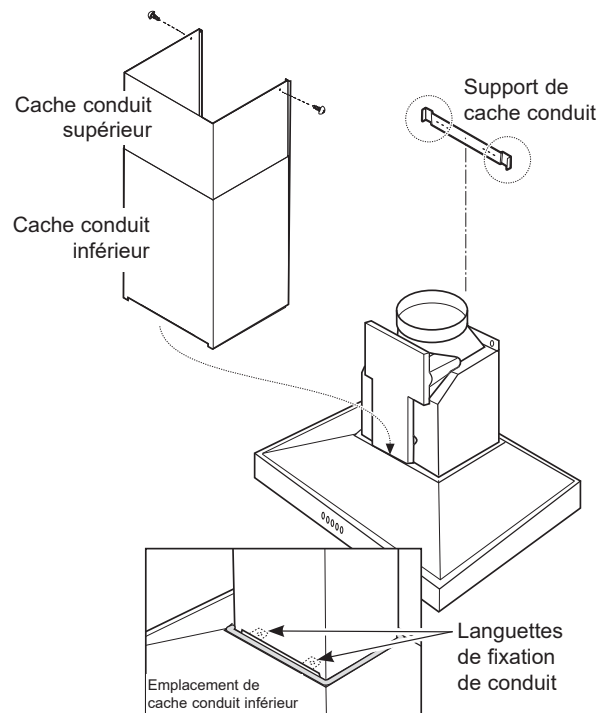
- Retirez le couvercle plastique de protection.
- Placez les caches décoratifs de conduit sur la hotte.



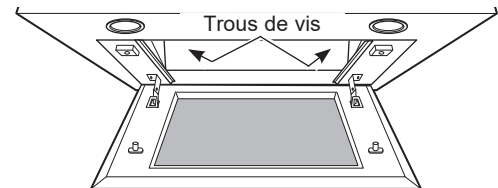
REMARQUE : La pièce de conduit intérieure possède de trous d'aération sur une extrémité.

Les trous sont utilisés lorsque la hotte est installée à des fins de recyclage. Faites coulisser l'extrémité intérieure dans la pièce extérieure; les trous d'aération ne doivent être pas être visibles dans cette installation.

La pièce intérieure de conduit doit coulisser dans les extrémités enroulées de la partie externe.



- Étirez le tuyau interne jusqu'au support de plafond.



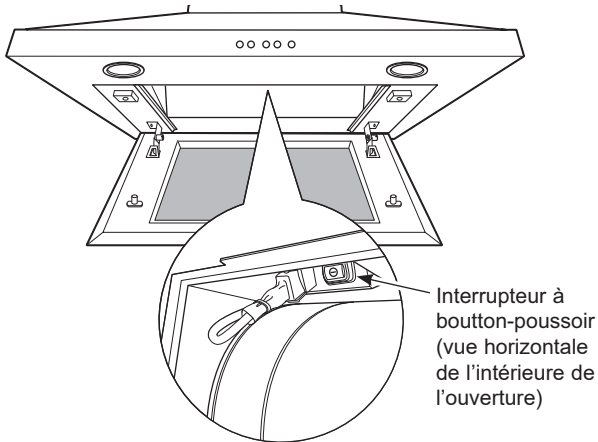
- Appuyez sur les coins avant du panneau filtrant pour débloquer. Abaissez le panneau pour accéder au filtre.
- Repérez les trous de vis sur l'extrémité avant intérieure de l'ouverture. Installez 2 vis pour fixer le cache conduit sur la hotte.

Instructions d'installation

INSTALLATION—VENTILÉ VERS L'EXTÉRIEUR

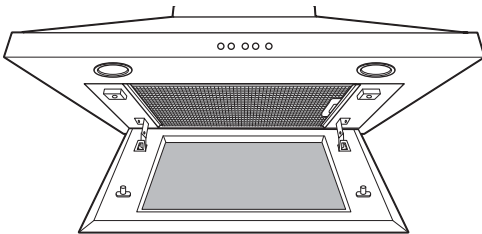
8 INSTALLER LES FILTRES

IMPORTANT : Assurez-vous que l'interrupteur principal ON/OFF placé près du moteur est sur la position ON.

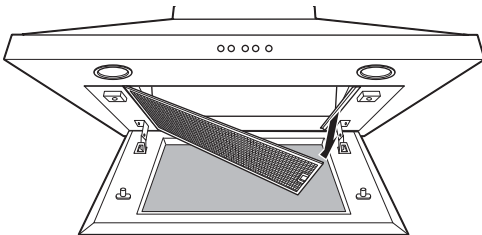


- Retirez les pellicules de protection des filtres à graisse et du panneau filtrant.

REMARQUE : Le filtre à charbon actif n'est pas requis pour cette procédure à l'installation.



- Basculez le filtre sur la gauche ou la droite de l'ouverture. Levez le filtre vers le côté opposé et dans le verrou de filtre.
- Pour retirer le filtre, enfoncez le loquet vers le centre et appuyez.



- Pour fermer le panneau filtrant, soulevez des deux côtés aux coins frontaux et engagez le loquet.

9 TERMINER L'INSTALLATION

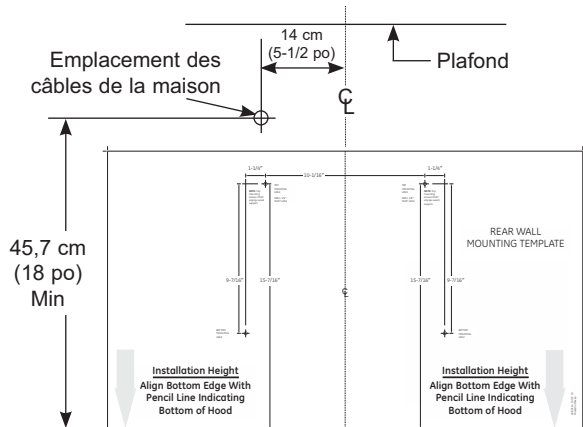
- Vérifiez que les matériaux d'emballage et les rubans ont été retirés.
- Reportez-vous au manuel utilisateur pour les consignes d'utilisation.

Instructions d'installation

INSTALLATION— RECYCLAGE

EMPLACEMENT DES CANALISATIONS ET DES CÂBLES

- Déterminez l'emplacement de la hotte aspirante.
- Identifiez le gabarit emballé avec les manuels.
- Mesurez 91 cm (36 po) partir du sol jusqu'au dessus de la surface de cuisson. Ajoutez la hauteur d'installation de la hotte sur la page 7. Marquez cet emplacement.



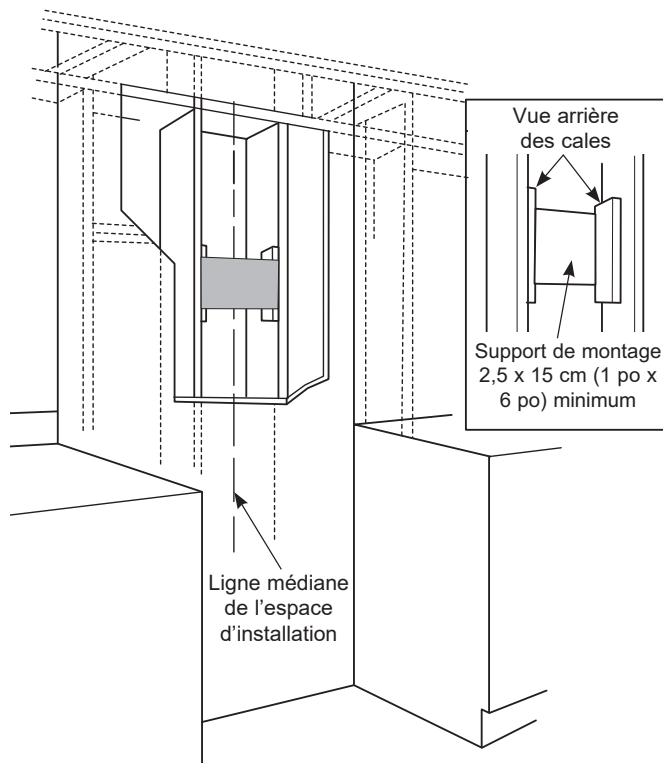
- Enfoncez le gabarit le long de la ligne tracée au stylo. ASSUREZ-VOUS QUE LE GABARIT EST BIEN NIVELÉ.
- Utilisez un niveau pour tracer une ligne au stylo, de la ligne médiane sur le gabarit au plafond.

EMPLACEMENT DES CÂBLES DE LA MAISON :

- La boîte à bornes est située sur le côté supérieur gauche de la hotte.
- Les câbles doivent pénétrer dans le mur arrière d'au moins 45 cm (18 po) au-dessus de la partie inférieure de la hotte, et entre 9,6 cm (5-1/2 po) de la ligne médiane.

1 INSTALLER L'ENCADREMENT POUR LA FIXATION DE LA HOTTE

IMPORTANT : L'encadrement doit être capable de supporter 45 kg (100 livres).



En présence d'une cloison sèche, marquez les emplacements des trous de vis pour les supports de montage supérieurs. Retirez le calibre.

- Coupez suffisamment dans la cloison sèche afin d'exposer 2 chevilles verticales à l'emplacement du support indiqué sur le calibre.
- Installez un support horizontal aux dimensions 2,5 cm x 15 cm (1 po x 6 po) entre les deux chevilles murales sur l'emplacement de la vis de montage. Le support horizontal doit être encastré dans le côté pièce des chevilles. Placez des cales devant les deux côtés du support afin de fixer les chevilles murales.

IMPORTANT : Réinstallez la cloison sèche pour une surface surface de cuisson.

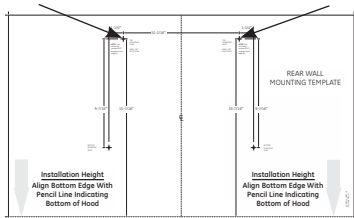
Instructions d'installation

INSTALLATION— RECYCLAGE

2 INSTALLER LES VIS D'ASSEMBLAGE DE LA HOTTE

Les deux vis de montage du haut doivent pénétrer dans le support horizontal ou les chevilles murales.

- Une fois le gabarit en place, utilisez un poinçon pour marquer les emplacements des vis du support de montage.
- Percez les trous 31 mm (1/8 po) aux 2 emplacements poinçonnés sur le support inférieur.
- Retirez le gabarit.
- Installez les vis de montage; veillez à laisser un espace de 50 mm (1/4 po) entre la tête de la vis et le mur. La rainure du cadre de la hotte introduira la tête de la vis.



IMPORTANT : Utilisez les vis de montage fournis. N'UTILISEZ PAS DE VIS POUR CLOISON SÈCHE.

- Vérifiez si les vis de montage sont horizontalement alignées.

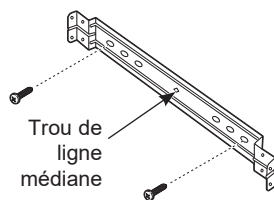
3 INSTALLER LE SUPPORT DE CANALISATION

Le support de conduit doit être installé contre le mur arrière et aligné sur le plafond. Ce support maintiendra en place le cache conduit sur la partie supérieure.

Fixez le support sur le mur :

- Alignez la découpe de la ligne médiane sur le support avec la ligne médiane tracée au stylo sur le mur.
- Marquez 2 emplacements de trous sur le mur.
- Percez les trous 30 mm (1/8 po) sur les emplacement marqués.
- Si les trous sont trop petits pour les chevilles, agrandissez les trous jusqu'à 95 mm (3/8 po) et des installez des fixations métalliques murales (fournies).
- Si vous le montez directement sur un mur en maçonnerie, munissez-vous de 10 douilles à expansion de maçonnerie. Percez et installez conformément aux instructions du fournisseur des fixations.

- Placez les vis à la main dans les fixations afin que les douilles s'élargissent. Retirez les vis.
- Fixez le support au mur à l'aide des vis à bois et/ou des fixations.

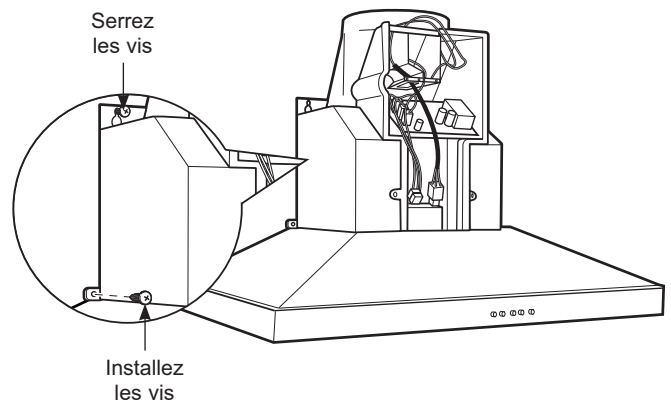


4 MONTER LA HOTTE

⚠ AVERTISSEMENT

2 personnes doivent être présentes pour soulever et positionner la hotte sur les vis de montage.

- Soulevez la hotte sur les vis de montage.
- Vérifiez le niveau et marquez les emplacements des vis du bas.
- Retirez la hotte.
- Percez les trous 30 mm (1/8 po) sur l'emplacement marqué.
- Si les trous sont trop petits pour les chevilles, agrandissez les trous jusqu'à 95 mm (3/8 po) et des installez des fixations métalliques murales (fournies).
- Soulevez la hotte sur les vis de montage.
- Installez les vis inférieures pour fixer la hotte contre le mur.
- Vissez les vis de montage supérieures.

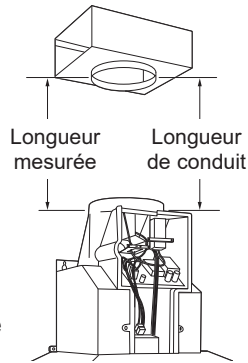


Instructions d'installation

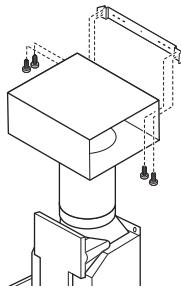
INSTALLATION— RECYCLAGE

5 MESURER ET COUPER LE CONDUIT

- Maintenez le déflecteur d'air avec le connecteur de conduit sur le plafond.
- Mesurez à partir du bas du déflecteur d'air jusqu'à la partie supérieure de la hotte comme indiqué. Réduisez cette dimension jusqu'à atteindre 25 mm (1 po) afin de faciliter l'installation. Le conduit couvrira et se superposera au déflecteur les sorties de la hotte.
- Coupez le conduit afin qu'elle coulisse sur la partie inférieure du déflecteur.
- Placez le déflecteur assemblé et le conduit sur la sortie d'échappement.
- Maintenez l'ensemble sur support de conduit.
- Placez 2 vis dans chaque extrémité de la partie inférieure du déflecteur et dans le support.
- Utilisez le ruban pour conduit pour étanchéifier le conduit sur le déflecteur et sur la sortie d'échappement.



Défecteur



Instructions d'installation

INSTALLATION— RECYCLAGE

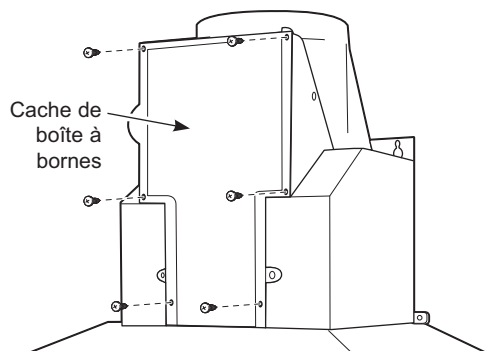
6 CONNECTER LES PARTIES ÉLECTRIQUES

Vérifiez que l'alimentation est coupée à la source.

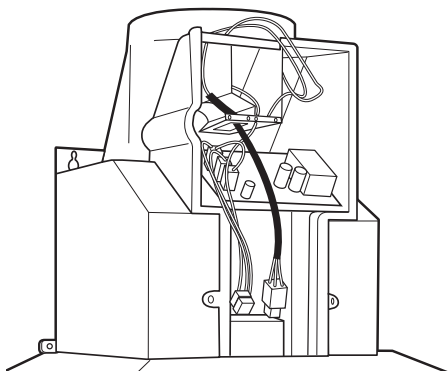
⚠ AVERTISSEMENT

Si la maison n'est pas câblée avec deux fils et un fil de terre, l'installateur doit installer un fil de terre. Quand les fils sont en aluminium, il faut prendre soin d'utiliser des connecteurs aluminium à cuivre avec une pâte antioxydante approuvée par U.L.

- Retirez les 6 vis du cache de la boîte à bornes et l'éjecteur sur le côté supérieur ou le côté gauche.



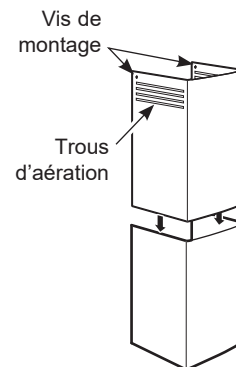
- Fixez les câbles domestiques à la boîte à bornes à l'aide d'un réducteur de tension.



- Connectez le câble blanc au câble blanc du circuit.
- Connectez le câble noir au câble noir du circuit.
- Connectez le câble vert/jaune au câble vert ou câble de terre nu du circuit.
- Fixez tous les branchements à l'aide de serre-fils sur chaque connecteur électrique.
- Fixez les câbles domestiques à la boîte à bornes et remplacez le cache. Assurez-vous que les câbles ne sont pas coincés.
- Fixez le cache de la boîte à bornes à l'aide des 6 vis originales.

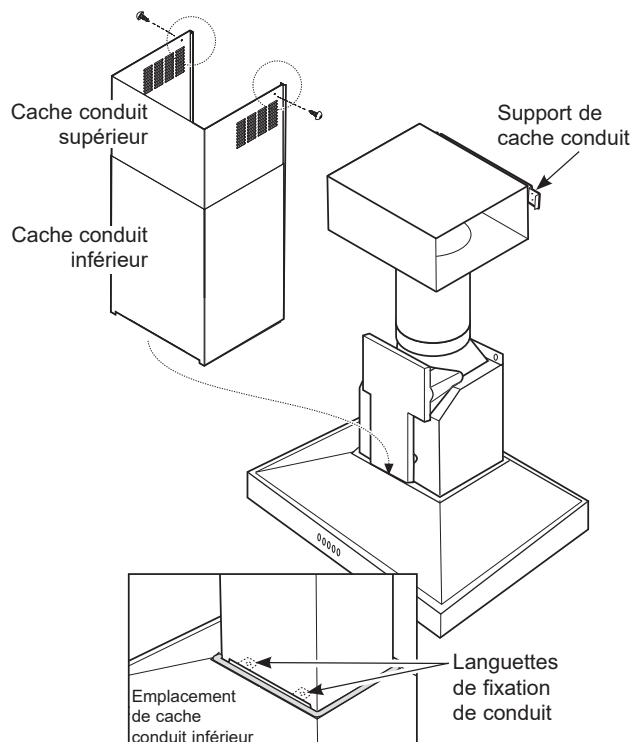
7 INSTALLER LES CACHES DE CONDUIT

- Retirez le couvercle plastique de protection.
- Placez les caches décoratifs de conduit sur la hotte.

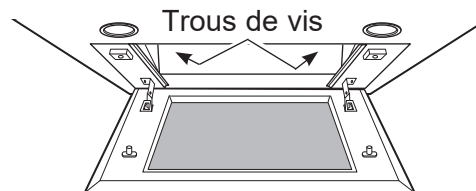


REMARQUE : La pièce intérieure dispose de trous d'aération sur une extrémité utilisée lorsque la hotte est installée à des fins de recyclage. Assurez-vous que l'extrémité aérée sur la partie supérieure, les trous d'aération seront visibles sur cette installation.

La pièce intérieure de conduit doit coulisser dans les extrémités enroulées de la partie externe.



- Étirez le tuyau interne jusqu'au support de plafond.



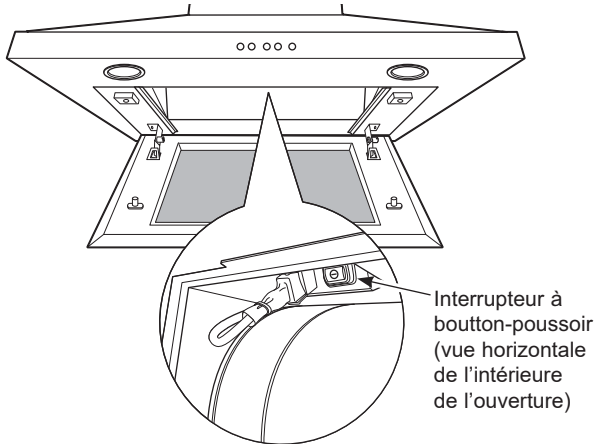
- Appuyez sur les coins avant du panneau filtrant pour débloquer. Abaissez le panneau pour accéder au filtre.
- Repérez les trous de vis sur l'extrémité avant intérieure de l'ouverture. Installez 2 vis pour fixer le cache conduit sur la hotte.

Instructions d'installation

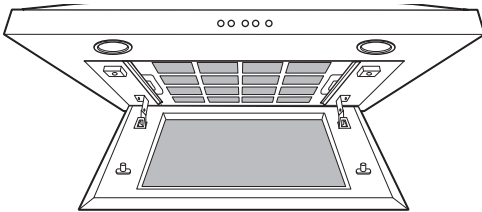
INSTALLATION— RECYCLAGE

8 INSTALLER LES FILTRES

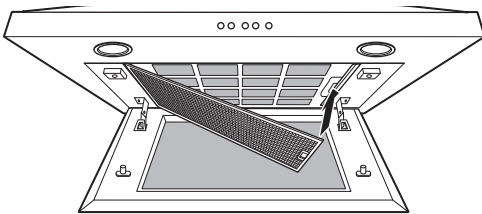
IMPORTANT : Assurez-vous que l'interrupteur principal ON/OFF placé près du moteur est sur la position ON.



- Retirez les pellicules de protection des filtres à graisse et du panneau filtrant.
- Insérez le filtre à charbon noir dans l'ouverture. Poussez le verrou des deux côtés vers le centre et engagez le bride. Relâchez les loquets pour sécuriser.



- Pour retirer le filtre, enfoncez le loquet vers le centre et appuyez.
- Installez le filtre métallique à graisse dans les canaux support de la hotte directement sous le filtre à charbon actif.



REMARQUE : Le filtre à charbon actif ne peut être utilisé sans le filtre métallique fixé dessous.

- Pour fermer le panneau filtrant, soulevez des deux côtés aux coins frontaux et engagez le loquet.

9 TERMINER L'INSTALLATION

- Retirez le matériel d'emballage et le ruban.
- Reportez-vous au manuel utilisateur pour les consignes d'utilisation.

Instructions d'installation

NOTES

NOTE : Lorsque vous procédez à des installations détaillées dans ce manuel, veillez à vous munir de lunettes de protection.

Pour le service de Monogram® le plus proche de votre domicile, visitez notre site Web à l'adresse **monogram.ca**.

NOTE : L'amélioration des produits est une constante chez Monogram Appliances. Les matériaux, l'aspect et les spécifications sont par conséquent susceptibles de faire l'objet de modifications sans avis préalable.



INSTRUCCIONES DE INSTALACIÓN

**Campana de ventilación
de chimenea de 30" (76,2 cm)
ZV830**

ESPAÑOL

Información de Seguridad

ANTES DE COMENZAR

Lea estas instrucciones completa y cuidadosamente.

- **IMPORTANTE** — Guarde estas instrucciones para uso del inspector local.
- **IMPORTANTE** — Observe todos los códigos y ordenanzas vigentes.
- **Nota para el instalador** — Cerciórese de dejar estas instrucciones en poder del consumidor.
- **Nota para el consumidor** — Mantenga estas instrucciones para referencia futura.
- **Nivel de destrezas** — La instalación de este aparato requiere de destrezas mecánicas y eléctricas básicas.
- **Tiempo para la instalación** — 1 a 3 horas.
- La instalación correcta es responsabilidad del instalador. La falla del producto debido a una instalación incorrecta no está cubierta por la garantía.
- Para servicio técnico local Monogram en su área, visite nuestro sitio web en monogram.com.
- Para servicio técnico Monogram en Canadá, visite nuestro sitio web en monogram.ca
- Para Piezas y accesorios Monogram, visite nuestro sitio web en monogram.com/use-and-care/parts.

⚠ PRECAUCIÓN Debido al peso y tamaño de estas campanas con ventilación y para reducir el riesgo de lesiones personales o daños al producto, **SE NECESITAN DOS PERSONAS PARA REALIZAR UNA INSTALACIÓN CORRECTA.**

⚠ ADVERTENCIA Para reducir el riesgo de incendio o descarga eléctrica, no utilice esta campana para estufa con ningún dispositivo de control de velocidad externo de estado sólido. Cualquier clase de modificación del cableado original de fábrica podría provocar daños a la unidad y/o crear un peligro de seguridad eléctrico.
PARA REDUCIR EL RIESGO DE INCENDIO, SÓLO UTILICE CONDUCTOS DE METAL.

⚠ ADVERTENCIA PARA REDUCIR EL RIESGO DE INCENDIO, DESCARGA ELÉCTRICA O LESIONES A PERSONAS, CUMPLA CON LOS SIGUIENTES PUNTOS:

- Utilice esta unidad sólo de la manera concebida por el fabricante. Si tiene alguna pregunta, comuníquese con el fabricante.
- Antes de efectuar servicio técnico o limpiar la unidad, desconecte la corriente en el panel de servicio y bloquee el medio de desconexión del servicio para evitar que la corriente se restablezca accidentalmente. Cuando el medio de desconexión del servicio no se pueda bloquear, fije firmemente al panel de servicio un dispositivo de advertencia prominente, como una etiqueta.

⚠ PRECAUCIÓN SÓLO PARA USO DE VENTILACIÓN GENERAL. NO LO UTILICE PARA VENTILAR MATERIALES PELIGROSOS, MATERIALES O VAPORES EXPLOSIVOS.

⚠ ADVERTENCIA PARA REDUCIR EL RIESGO DE INCENDIO, DESCARGA ELÉCTRICA O LESIONES A PERSONAS, CUMPLA CON LOS SIGUIENTES PUNTOS:

- El trabajo de instalación y el cableado eléctrico deben realizarlo personas calificadas en cumplimiento con todos los códigos y normas aplicables, incluyendo construcción con clasificación para incendios.
- Se necesita suficiente aire para una combustión y escape de gases adecuados a través de la ventilación (chimenea) de equipamiento de combustión de combustible para evitar la contracorriente. Siga las pautas y normas de seguridad del fabricante del equipamiento de calefacción, tales como las publicadas por la Asociación Nacional de Protección contra Incendios (NFPA), la Sociedad Estadounidense de Ingenieros en Calefacción, Refrigeración y Aire Acondicionado (ASHRAE) y las autoridades de códigos locales. Cuando corresponda, instale un sistema de reposición (reemplazo) de aire de acuerdo con los requisitos del código local de construcción.
- Cuando realice cortes o perforaciones dentro de paredes o cielorrasos, no dañe el cableado eléctrico y otros servicios públicos ocultos.
- Los sistemas de conductos siempre deben contar con una salida al exterior.
- Los códigos locales pueden variar. La instalación de conexiones eléctricas y a tierra deben cumplir con los códigos aplicables. Si no existieran códigos locales, la ventilación deberá instalarse en cumplimiento con el Código Eléctrico Nacional ANSI/NFPA 70-1990 o la última edición.

⚠ PRECAUCIÓN Para reducir el riesgo de incendio o para que el aire se ventile de manera adecuada, asegúrese de que el aire salga al exterior; no ventile aire de escape en espacios dentro de paredes o cielorrasos o dentro de áticos, huecos sanitarios o garajes.

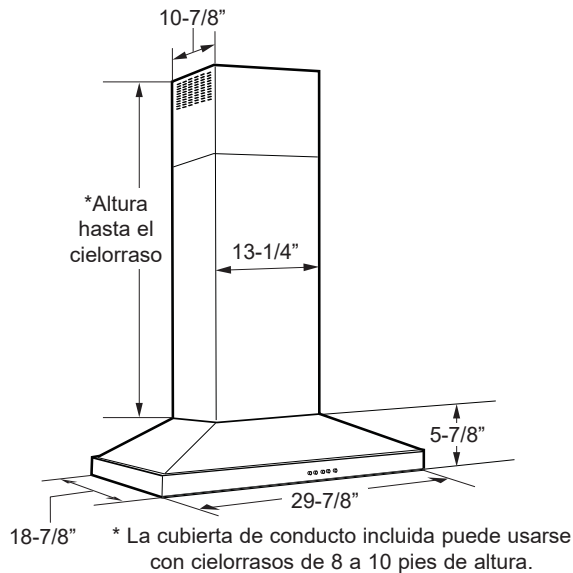
READ AND SAVE THESE INSTRUCTIONS

Información de diseño

CONTENIDOS

Información de Seguridad	2	Paso 3, Instale el soporte del conducto.....	10
Información de diseño		Paso 4, Instale la campana.....	10
Dimensiones del producto y espacios libres.....	3	Paso 5, Conecte el conducto.....	11
Opciones de instalación.....	3	Paso 6, Conecte los elementos eléctricos.....	12
Preparación para la instalación		Paso 7, Instale las cubiertas de los conductos.....	12
Planificación previa, conductos, armazones.....	4	Paso 8, Instale los filtros.....	13
Fuente de energía.....	4	Paso 9, Finalice la instalación.....	13
Accesorios para conductos.....	5	Instalación—Recirculación	
Herramientas y materiales requeridos.....	6	Ubicación de los conductos y cableado.....	14
Quite el envoltorio.....	6	Paso 1, Instale el armazón para el soporte de la campana.....	14
Establezca la altura de instalación.....	7	Paso 2, Instale los tornillos de montaje de la campana.....	15
Alturas de instalación de montaje en pared.....	7	Paso 3, Instale el soporte del conducto.....	15
Controle los elementos para la instalación.....	8	Paso 4, Instale la campana.....	15
Instalación—Ventilación hacia el exterior		Paso 5, Clasifique el tamaño y corte la pieza del conducto.....	16
Ubicación de los conductos y cableado.....	9	Paso 6, Conecte los elementos eléctricos.....	17
Paso 1, Instale el armazón para el soporte de la campana.....	9	Paso 7, Instale las cubiertas de los conductos.....	17
Paso 2, Instale los tornillos de montaje de la campana.....	10	Paso 8, Instale los filtros.....	18
		Paso 9, Finalice la instalación.....	18

DIMENSIONES DEL PRODUCTO Y ESPACIOS LIBRES

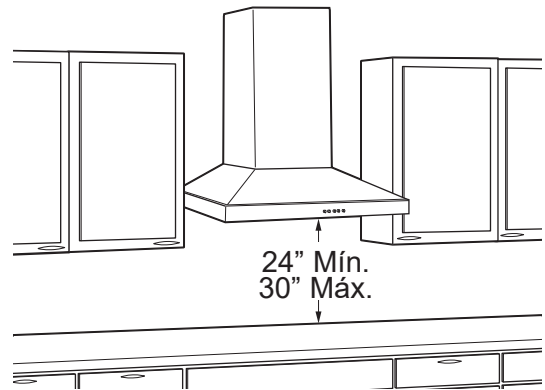


La campana de ventilación debe instalarse a un mín. de 24" y un máx. de 30" sobre la superficie de cocción. La altura de instalación de la campana sobre la superficie de cocción depende de la altura del cielorraso.

La cubierta plegable oculta los conductos que van desde la parte superior de la campana hasta el cielorraso. La cubierta de conductos incluida puede usarse en cielorrasos de 8 a 10 pies de altura. Diríjase a la página 7.

Accesorio ZX83012 – Accesorio para conductos para cielorrasos de 10' a 12' de altura. Diríjase a la página 7.

OPCIONES DE INSTALACIÓN



NOTA: La altura de instalación debe medirse desde la superficie de cocción hasta la parte más baja de la campana.

Esta campana puede instalarse sobre una pared y ventilarse hacia el exterior, o puede instalarse para que realice una operación de recirculación. Todas las piezas necesarias para la operación de recirculación se incluyen con la campana. No se requieren kits adicionales.

Esta campana puede instalarse sobre cualquier anafe eléctrico o a gas Monogram de 30".

READ AND SAVE THESE INSTRUCTIONS

Preparación para la instalación

PLANIFICACIÓN PREVIA

- Determine la ubicación exacta de la campana de ventilación.
- Planifique el recorrido de la salida de ventilación hacia el exterior.
- Utilice el recorrido de conductos más corto y más recto posible. Para un desempeño satisfactorio, el recorrido de los conductos no debe superar una longitud equivalente a los 100 pies para ninguna configuración de conductos.
- Consulte la tabla "Accesorios de conductos" en la página 5 para calcular la longitud máxima permisible para recorridos de conductos hacia el exterior.
- Cuando corresponda, instale un sistema de reposición (reemplazo) de aire de acuerdo con los requisitos del código local de construcción.

⚠PRECAUCIÓN

Para reducir el riesgo de incendio o para que el aire se ventile de manera adecuada, asegúrese de que el aire salga al exterior; no ventile aire de escape en espacios dentro de paredes o cielorrasos o dentro de áticos, huecos sanitarios o garajes.

⚠ADVERTENCIA

PARA REDUCIR EL RIESGO DE INCENDIO, SÓLO UTILICE CONDUCTOS DE METAL.

- Instale una cubierta de pared con un regulador de tiro o casquete de techo en la abertura exterior. Solicite por adelantado la cubierta de pared o el casquete de techo y cualquier transición necesaria.

Armazones de pared para un soporte adecuado

- Esta campana de ventilación es pesada. Debe brindarse un soporte estructural adecuado en todas las clases de instalaciones. La campana debe sujetarse a pernos verticales sobre la pared o a un soporte horizontal.
- La campana de ventilación debe encontrarse en su lugar antes del enmarcado final y acabado de la pared. Esto ayudará a ubicar con precisión el conducto y el servicio eléctrico.
- La instalación resultará más fácil si la campana de ventilación se instala antes que el anafe y la mesada.

ACCESORIO DE CUBIERTA DE CONDUCTO

Esta campana se envía con una cubierta decorativa de conductos para cielorrasos de 7'-11" a 10' de altura. El accesorio de cubierta de conducto ZX83012 puede alcanzar cielorrasos de 10'-1" y 12' de altura. El accesorio debe solicitarse con la campana y debe estar en el lugar antes de comenzar la instalación.

FUENTE DE ENERGÍA

IMPORTANTE – (Lea cuidadosamente)

⚠ADVERTENCIA

PARA SEGURIDAD PERSONAL, ESTE ARTEFACTO DEBE CONECTARSE A TIERRA DE MANERA ADECUADA.

Quite el fusible o desconecte el disyuntor antes de comenzar la instalación.

No utilice un cable de extensión o un enchufe adaptador con este artefacto. Siga los códigos eléctricos nacionales o códigos y ordenanzas locales.

Suministro eléctrico

Estas campanas de ventilación deben contar con un suministro de 120V, 60Hz, deben estar conectadas a un circuito derivado individual con una adecuada conexión a tierra y deben contar con la protección de un disyuntor o fusible de tiempo retardado de 15 o 20 amperios.

- El cableado debe ser de 2 espigas con conexión a tierra.
- Si el suministro eléctrico no cumple con los requisitos anteriores, llame a un electricista calificado antes de continuar.
- Dirija el cableado doméstico lo más cerca posible de la ubicación de la instalación, en el cielorraso o pared trasera. Consulte Ubicaciones de cableado en la página 9.
- Conecte el cableado de la campana al cableado doméstico en cumplimiento con los códigos locales.

Instrucciones de conexión a tierra

El conductor a tierra debe conectarse a un sistema de cableado permanente, de metal, con conexión a tierra o una terminal o conductor de conexión a tierra del equipamiento en la campana.

⚠ADVERTENCIA

Una conexión inadecuada del conductor de conexión a tierra del equipamiento puede provocar un riesgo de descarga eléctrica. Consulte a un electricista calificado o representante de servicio técnico si tiene dudas sobre la correcta conexión a tierra del artefacto.

⚠PRECAUCIÓN

Dispositivo operado en forma automática – Para reducir el riesgo de lesiones desconecte del suministro de energía antes de realizar reparaciones. Esta unidad se encuentra equipada con un interruptor de desconexión integral ubicado dentro de la caja del ventilador.

Preparación para la instalación

ACCESORIOS PARA CONDUCTOS

Esta campana debe usar un conducto redondo de 8". Puede cambiar a un conducto de 3-1/4" x 12".

Utilice esta tabla para calcular las longitudes máximas permitidas para recorridos de conductos hacia el exterior.

NOTA: ¡No supere las longitudes equivalentes máxima permitidas!


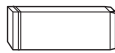


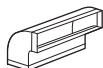
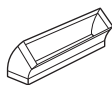

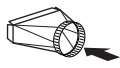
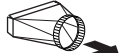
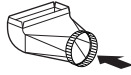

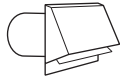
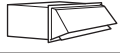

Longitud máxima del ducto: 100 pies para campanas para estufas.

Conductos flexibles:

Si se utilizan conductos flexibles de metal, todos los valores equivalentes en pies de la tabla deben duplicarse. El conducto flexible de metal debe ser recto y liso y debe extenderse lo máximo posible.

NO USE conductos flexibles de plástico.

NOTA: Cualquier sistema de ventilación doméstico, como una campana de ventilación, puede interrumpir el flujo adecuado de aire de combustión y de escape requerido para chimeneas, hornos a gas, calentadores de agua a gas y otros sistemas de ventilación natural. Para minimizar las posibilidades de interrupción de tales sistemas de ventilación natural, siga las pautas y normas de seguridad del fabricante del equipamiento de calefacción, tales como las publicadas por NFPA y ASHRAE. Cuando corresponda, instale un sistema de reposición (reemplazo) de aire de acuerdo con los requisitos del código local de construcción.

Pieza del ducto	Dimensiones	Longitud equivalente*	Cantidad utilizada	Longitud equivalente total
	Circular, recta	1 pie recto (por longitud de pie)		
	3-1/4" x 12" recta	1 pie recto (por longitud de pie)		
	Codo de 90°	17 pies		
	Codo de 45°	10 pies		
	Codo de 90° de 3-1/4" x 12"	43 pies		
	Codo de 45° de 3-1/4" x 12"	26 pies		
	Codo plano de 90° de 3-1/4" x 12"	102 pies		
	Circular de 8" a 3-1/4" x 12" transición	2 pies		
	Transición 3-1/4" x 12" a circular de 8"	5 pies		
	Codo de 90° de transición circular 8" a 3-1/4" x 12"	6 pies		
	Codo de 90° de transición de 3-1/4" x 12" a circular de 8"	13 pies		
	Tapa de pared circular con regulador de tiro	32 pies		
	Tapa de pared de 3-1/4" x 12" con regulador de tiro	75 pies		
	Tapa de techo circular	44 pies		

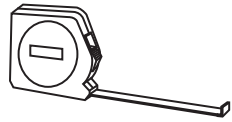
*Longitud real del conducto recto más equivalente de accesorio del conducto. La longitud equivalente de los conductos se encuentra basada en pruebas reales realizadas por el grupo de Ingeniería de Evaluación de GE Appliances y reflejan los requisitos para un buen desempeño de ventilación con cualquier campana de ventilación.

Recorrido total de los conductos _____

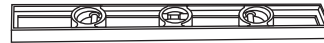
Preparación para la instalación

HERRAMIENTAS Y MATERIALES REQUERIDOS (NO INCLUIDO)

- Cinta de medir
- Cuchilla
- Nivel de burbuja de aire
- Alicate pelacables
- Tapones de alambre
- Perforadora eléctrica con mechas de 1/8" y 3/8"
- Destornilladores Phillips y de lados planos
- Martillo
- Pinzas
- Gafas de seguridad
- Cinta aislante de aluminio
- Cinta para montar la plantilla
- Guantes para protegerse de lados afilados
- Circuito derivado con adecuada conexión a tierra de 2 espigas, 120V, 60Hz. 15 o 20 amperios
- Alivio de tensión para tapa de caja de conexiones
- Conducto redondo de metal de 8", longitud suficiente para la instalación
- Sierra, sierra de vaivén o sierra alternativa
- Tijeras para hojalata



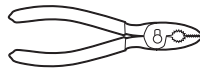
Cinta de medir



Nivel de burbuja de aire



Guantes



Pinzas



Perforadora eléctrica con mechas de 1/8" y 3/8"



Cuchilla



Alicate pelacables



Cinta aislante de aluminio



Gafas de seguridad



Martillo



Alivio de tensión



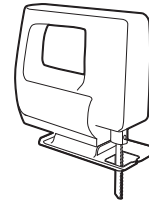
Destornilladores Phillips de 12"



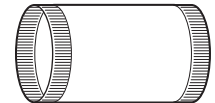
Destornilladores de lados planos



Tapones de alambre



Sierra, sierra de vaivén o sierra alternativa



Conducto redondo de metal de 8", longitud suficiente para la instalación



Tijeras para hojalata



Cinta adhesiva

QUITE EL ENVOLTORIO

⚠ PRECAUCIÓN

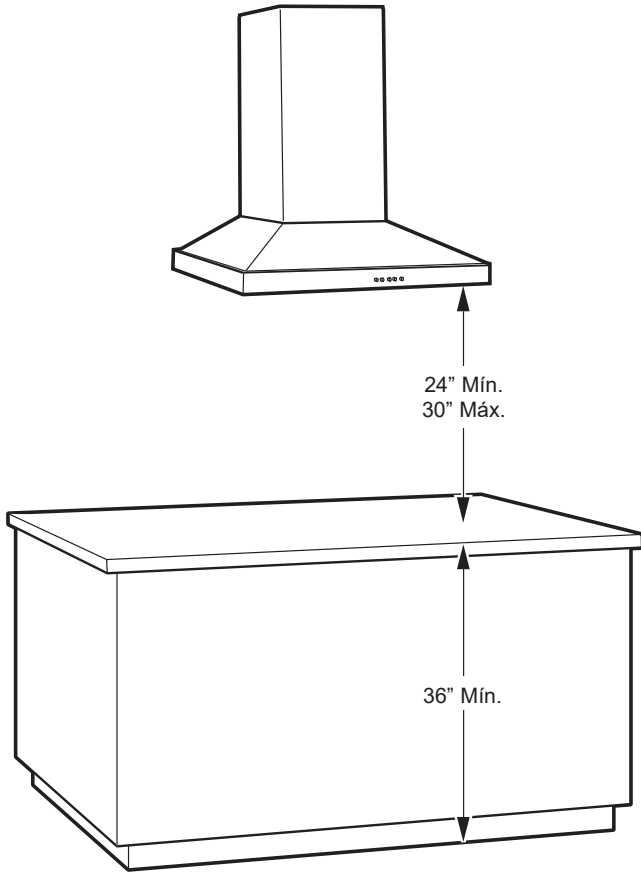
Use guantes para protegerse de lados afilados.

- Quite las cubiertas de los conductos.
- Quite la caja de piezas y otros elementos. Ubique el paquete con las instrucciones.
- Quite y descarte el envoltorio plástico de protección y otros materiales de empaque.

Preparación para la instalación

ESTABLEZCA LA ALTURA DE INSTALACIÓN

- Se ofrecen cubiertas plegables para ocultar los conductos que se extienden hasta el cielorraso.
- Esta campana puede instalarse para una operación de recirculación. No se requieren kits adicionales.



NOTA: La altura de instalación debe medirse desde la superficie de cocción hasta la parte más baja de la campana.

La campana de ventilación debe instalarse a un mín. de 24" y un máx. de 30" sobre la superficie de cocción. La altura de instalación de la campana, desde la superficie de cocción hasta la parte más baja de la campana, depende de la altura del cielorraso.

ACCESORIOS

El accesorio de cubierta de conducto ZX83012 se encuentra disponible para cielorrasos de 10 a 12 pies. Este accesorio está compuesto por una cubierta de conducto larga de 48 7/8".

Alturas de instalación de montaje de pared de ZV830

Altura real del cielorraso	*Altura de instalación posible CON VENTILACIÓN	*Altura de instalación posible CON RECIRCULACIÓN	
7'-11"	24"	24"	SUMINISTRADO
8'-0"	24" a 25"	24" a 25"	
8'-1"	24" a 26"	24" a 26"	
8'-2"	24" a 27"	24" a 27"	
8'-3"	24" a 28"	24" a 28"	
8'-4"	24" a 29"	24" a 29"	
8'-5" a 9'-6"	24" a 30"	24" a 30"	
9'-7"	25" a 30"	24" a 30"	
9'-8"	26" a 30"	24" a 30"	
9'-9"	27" a 30"	24" a 30"	
9'-10"	28" a 30"	24" a 30"	
9'-11"	29" a 30"	25" a 30"	
10'-0"	30"	26" a 30"	
10'-1"		27" a 30"	
10'-2"		28" a 30"	
10'-3"		29" a 30"	
10'-4"		30"	
9'-7"	24"		ACCESORIO ZX90010
9'-8"	24" a 25"		
9'-9"	24" a 26"		
9'-10"	24" a 27"		
9'-11"	24" a 28"	24"	
10'-0"	24" a 29"	24" a 25"	
10'-1"	24" a 30"	24" a 26"	
10'-2"	24" a 30"	24" a 27"	
10'-3"	24" a 30"	24" a 28"	
10'-4"	24" a 30"	24" a 29"	
10'-5"	24" a 30"	24" a 30"	
10'-6" a 11'-6"	24" a 30"	24" a 30"	
11'-7"	25" a 30"	24" a 30"	
11'-8"	26" a 30"	24" a 30"	
11'-9"	27" a 30"	24" a 30"	
11'-10"	28" a 30"	24" a 30"	
11'-11"	29" a 30"	25" a 30"	
12'-0"	30"	26" a 30"	


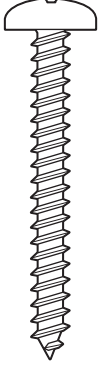

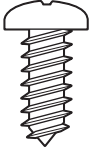
*Basado en una altura de mesada de 36".

Preparación para la instalación

CONTROLE LOS ELEMENTOS PARA LA INSTALACIÓN

Ubique el paquete de hardware embalado con la campana y verifique los contenidos.

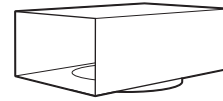
PAQUETE DE HARDWARE
Ubique y cuente los tornillos

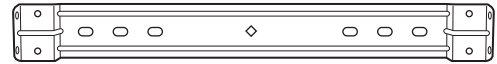
6 tornillos de madera (#10 1-3/4" de largo)

4 fijaciones de pared (5/16")

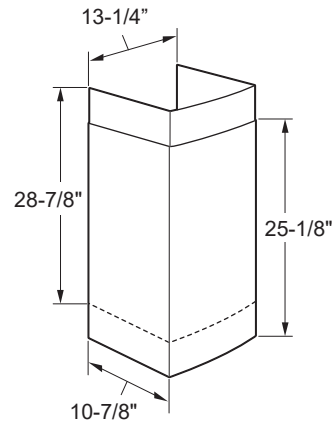
Tornillos para tapa de 8 conductos y deflector de aire (tornillo con rosca n° 8 de 3/8" de longitud)



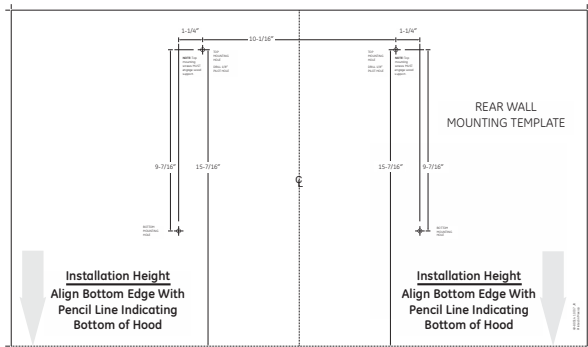
Deflector de aire sólo para instalación con recirculación



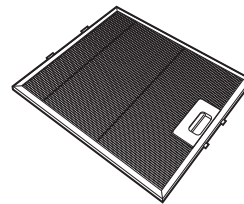
Soporte del conducto



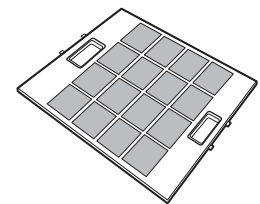
Cubierta decorativa de conducto de 2 piezas (la dimensión se muestra sólo como referencia)



Plantilla para montaje en la pared



Filtro de acero inoxidable



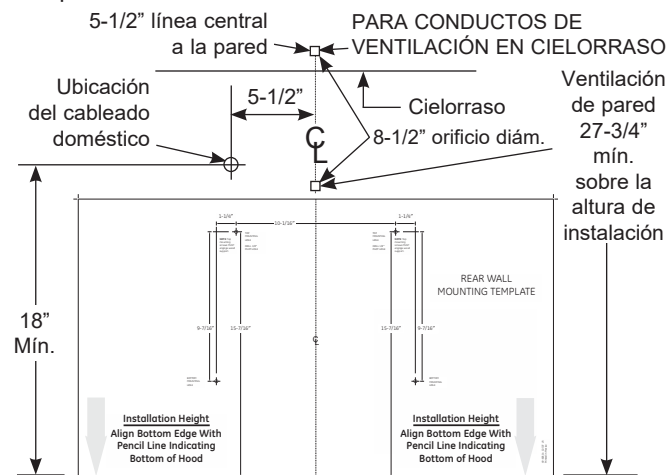
1 filtro de carbón para instalación con recirculación

Instrucciones para la instalación

INSTALACIÓN—VENTILACIÓN HACIA EL EXTERIOR

UBICACIÓN DE LOS CONDUCTOS Y CABLEADO

- Determine la ubicación exacta de la campana de ventilación.
- Ubique la plantilla embalada con las instrucciones.
- Mida 36" desde el piso hasta el extremo superior de la superficie de cocción. Agregue la altura de instalación de la campana determinada en la página 7. Marque esa ubicación.
- Utilice un nivel para dibujar una línea recta en lápiz sobre la pared.



- Adhiera con cinta la plantilla en posición a lo largo de la línea de lápiz. ASEGÚRESE DE QUE LA PLANTILLA ESTÉ NIVELADA.

Conductos en el cielorraso:

Si el conducto se ventilará directamente hacia el cielorraso:

- Utilice un nivel para dibujar un línea hacia arriba, desde la línea central de la plantilla hasta el cielorraso.
- Mida 5-1/2" desde la pared trasera hasta la línea central de un orificio de 8-1/2" en el cielorraso.

NOTA: Si no hay paredes de construcción en seco, agregue el espesor de las mismas a la dimensión de 5-1/2".

Conductos en la pared:

Si el conducto se ventilará hacia la parte trasera:

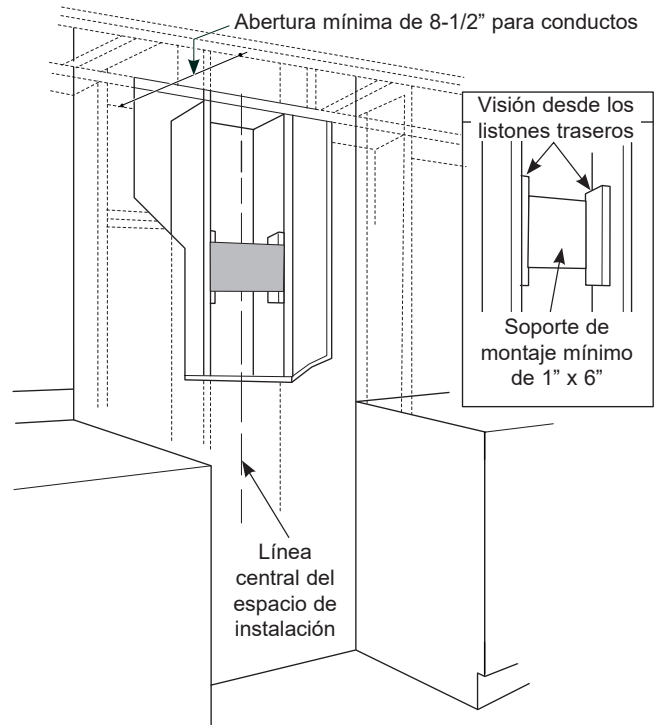
- Utilice un nivel para dibujar un línea hacia arriba, desde la línea central de la plantilla.
- Mida por lo menos 27-3/4" sobre la línea de lápiz que indica la altura de instalación inferior, hasta la línea central de un orificio de conducto de diámetro de 8-1/2". (El orificio puede ser alargado para un codo de conducto).

UBICACIÓN DE CABLEADO DOMÉSTICO:

- La caja de conexiones se encuentra en el lado superior izquierdo de la campana.
- El cableado deber ingresar por la pared trasera por lo menos 18" por encima del extremo inferior de la campana, y dentro de 5-1/2" del lado izquierdo de la línea central.

1 INSTALE EL ARMAZÓN PARA EL SOPORTE DE LA CAMPANA

IMPORTANTE: El armazón debe poder soportar 100 lbs.



Si se cuenta con paredes de construcción en seco, marque las ubicaciones de los orificios para tornillos para los soportes de montaje superiores. Quite la plantilla.

- Corte suficiente pared de construcción en seco para exponer 2 pernos verticales en la ubicación de soporte indicada en la plantilla.
- Instale un soporte horizontal por lo menos 1" x 6" entre dos pernos de pared en la ubicación de tornillo de montaje. **El soporte horizontal debe encontrarse alineado con el lado de la habitación de los pernos.** Utilice listones detrás de ambos lados del soporte para sujetar los pernos de pared.

IMPORTANTE: Vuelva a instalar la pared de construcción en seco para lograr una superficie de montaje pareja.

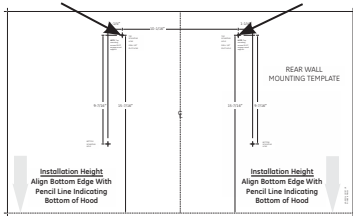
Instrucciones para la instalación

INSTALACIÓN—VENTILACIÓN HACIA EL EXTERIOR

2 INSTALE LOS TORNILLOS DE MONTAJE DE LA CAMPANA

Los dos tornillos de montaje superiores deben ingresar al soporte horizontal o los pernos de pared.

- Con la plantilla adherida con cinta en su lugar, utilice una perforadora para marcar las ubicaciones de los tornillos del soporte de montaje.
- Perfore orificios piloto de 1/8" en 2 de las ubicaciones perforadas en el soporte inferior.
- Quite la plantilla.
- Instale los tornillos de montaje; deje un espacio de 1/4" entre la cabeza del tornillo y la pared. Esto permitirá que la ranura del orificio del armazón de la campana se enganche con la cabeza del tornillo.



IMPORTANTE: Utilice los tornillos de montaje incluidos. NO UTILICE TORNILLOS PARA CONSTRUCCIONES EN SECO.

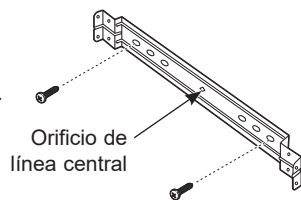
- Verifique que los tornillos de montaje estén nivelados horizontalmente.

3 INSTALE EL SOPORTE DEL CONDUCTO

El soporte del conducto debe instalarse contra la pared trasera y debe estar alineado con el cielorraso. Este soporte sostendrá la cubierta del conducto en su lugar en la parte superior.

Sujete el soporte a la pared:

- Alinee el orificio de la línea central con forma de diamante del soporte con la línea central a lápiz de la pared.
- Marque 2 ubicaciones de orificios para tornillos en la pared.
- Perfore orificios piloto de 1/8" en las ubicaciones marcadas.
- Si los orificios piloto no entran en los pernos de madera, agrande los orificios a 3/8" e instale anclajes de pared de metal (provistos).
- Si realiza el montaje directamente sobre una pared de mampostería, adquiera los anclajes adecuados #10 para mampostería. Perfore e instale según las instrucciones del fabricante de la sujeción.
- Coloque los tornillos, a mano, dentro de las sujeciones para que los anclajes se expandan. Quite los tornillos.
- Sujete el soporte a la pared con tornillos de madera y/o fijaciones.

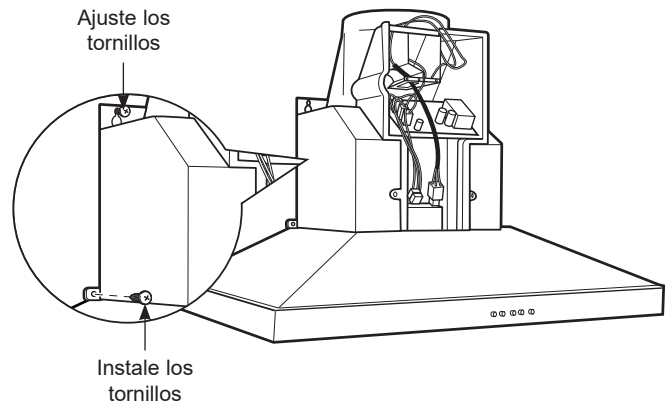


4 INSTALE LA CAMPANA

⚠ ADVERTENCIA

Se necesitan 2 personas para levantar y colocar la campana sobre los tornillos de montaje.

- Levante la campana sobre los tornillos de montaje.
- Verifique el nivel y marque las ubicaciones de los tornillos inferiores.
- Quite la campana.
- Perfore orificios piloto de 1/8" en las ubicaciones marcadas.
- Si los orificios piloto no entran en los pernos, agrande los orificios a 3/8" e instale anclajes de pared de metal (provistos).
- Levante la campana sobre los tornillos de montaje.
- Instale tornillos inferiores para ajustar la campana bien contra la pared.
- Ajuste los tornillos de montaje superiores.

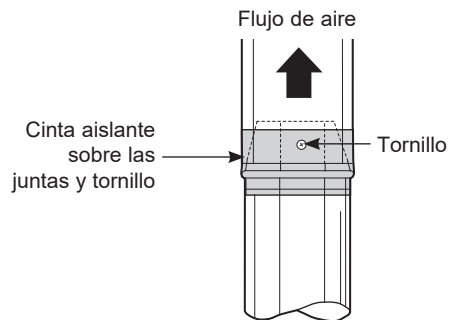


Instrucciones para la instalación

INSTALACIÓN—VENTILACIÓN HACIA EL EXTERIOR

5 CONECTE EL CONDUCTO

- Quite la cinta de embalaje del regulador de tiro.
- Instale el conducto, realizando conexiones en la dirección del flujo de aire, como se ilustra.
- Presione el conducto sobre la salida de escape y el regulador de tiro.
- Ajuste las juntas del conducto con tornillos para placas de metal.
- Envuelva todas las juntas del conducto y las conexiones de la brida con cinta aislante para un sellado hermético.



⚠ PRECAUCIÓN

No use tornillos para placas de metal en la conexión de la brida de la campana. Si lo hace no funcionará bien el regulador de tiro. Selle la conexión sólo con cinta aislante.

Instrucciones para la instalación

INSTALACIÓN—VENTILACIÓN HACIA EL EXTERIOR

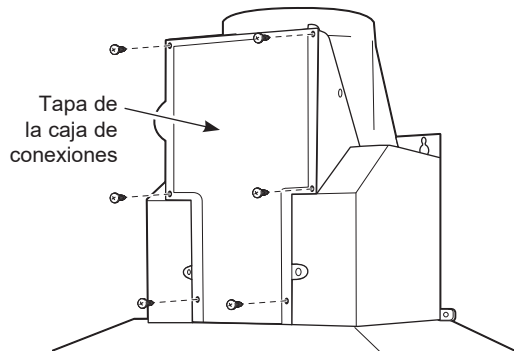
6 CONECTE LOS ELEMENTOS ELÉCTRICOS

Verifique que la energía esté cortada desde la fuente.

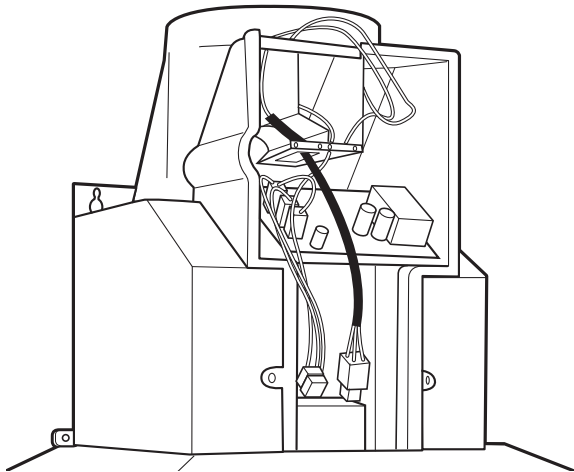
⚠ ADVERTENCIA

Si el cableado doméstico no cuenta con un cable de 2 espigas con conexión a tierra, un instalador debe realizar una conexión a tierra. Cuando el cableado doméstico es de aluminio, asegúrese de usar un compuesto antioxidante y conectores de aluminio a cobre aprobados por U.L.

- Quite los 6 tornillos de la tapa de la caja de conexiones y la expulsión sobre la parte superior o izquierda.



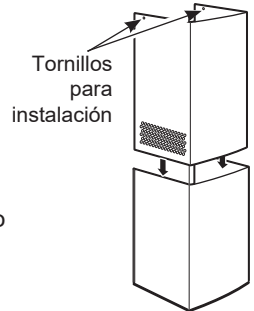
- Asegure el cableado doméstico a la caja de conexiones con un alivio de tensión.



- Conecte el cable blanco al cable blanco del circuito derivado.
- Conecte el cable negro al cable negro del circuito derivado.
- Conecte el cable verde/amarillo al cable verde del circuito derivado o al cable de conexión a tierra.
- Ajuste todas las conexiones con tapones de alambre sobre cada conector eléctrico.
- Empuje los cables dentro de la caja de conexiones y vuelva a colocar la tapa. Verifique que los cables no sufran pellizcos.
- Ajuste la tapa de la caja de conexiones con los 6 tornillos originales.

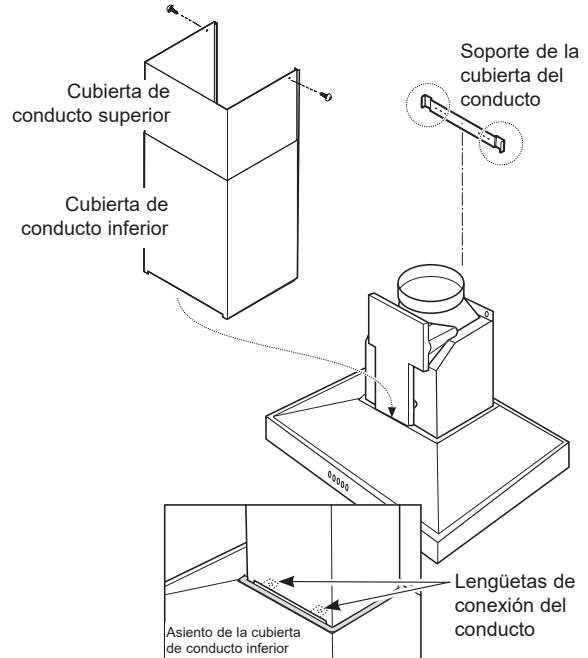
7 INSTALE LAS CUBIERTAS DE LOS CONDUCTOS

- Quite la tapa protectora de plástico.
- Coloque las cubiertas decorativas del conducto sobre la parte superior de la campana.

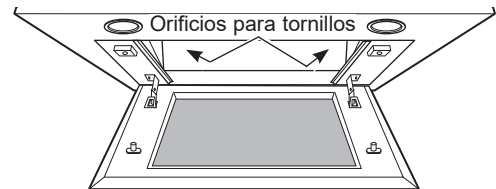


NOTA: La parte interna del conducto cuenta con orificios de ventilación en un extremo. Los orificios están provistos para ser utilizados cuando la campana se instala para efectuar una recirculación. Deslice el extremo interno dentro de la pieza externa; los orificios de ventilación no deben verse en esta instalación.

La pieza interna del conducto debe deslizarse dentro de los extremos doblados de la sección externa.



- Extienda el conducto interno en dirección ascendente hacia el soporte de cieloraso.



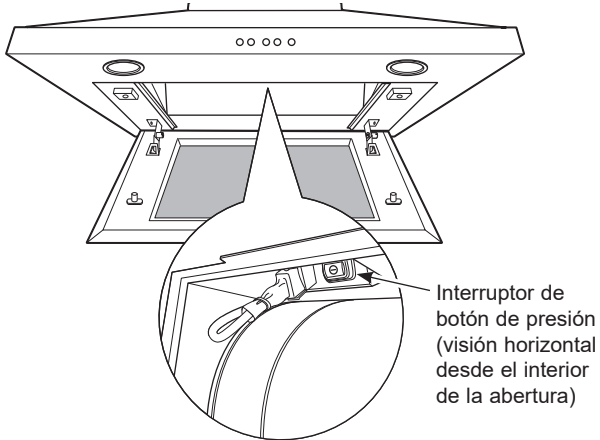
- Presione hacia arriba sobre las esquinas frontales del panel de la tapa del filtro para destrabarlo. Baje el panel para poder acceder al filtro.
- Ubique los orificios para tornillos en el extremo frontal interno de la abertura. Instale 2 tornillos para sujetar la cubierta del conducto a la campana.

Instrucciones para la instalación

INSTALACIÓN—VENTILACIÓN HACIA EL EXTERIOR

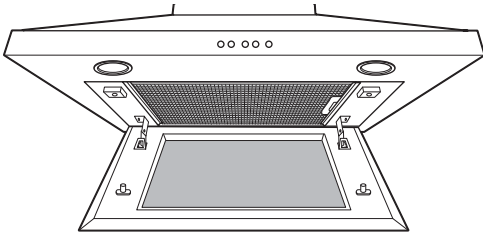
8 INSTALE LOS FILTROS

IMPORTANTE: Verifique que el interruptor principal ON/OFF (encendido/apagado) ubicado al lado del motor se encuentre en la posición ON.

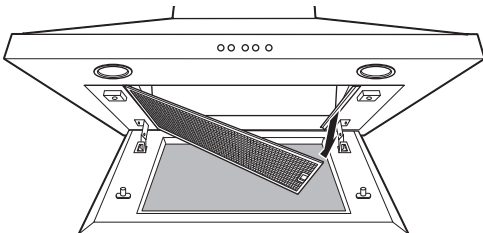


- Quite las películas protectoras de los filtros de grasa y panel de la tapa del filtro.

NOTA: No se necesita el filtro de carbón para esta instalación.



- Incline el filtro hacia el lado izquierdo o derecho de la abertura. Levante el filtro hacia el lado opuesto y dentro de la traba del filtro.
- Para quitar el filtro, presione la traba hacia el centro y jale hacia abajo.



- Para cerrar el panel de la cubierta del filtro, empuje en ambos lados de las esquinas frontales para enganchar la traba.

9 FINALICE LA INSTALACIÓN

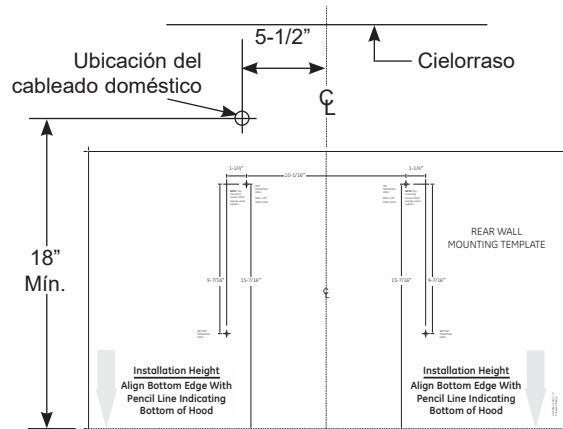
- Controle que se hayan quitado toda la cinta y los materiales de empaque.
- Consulte el Manual de propietario para instrucciones operativas.

Instrucciones para la instalación

INSTALACIÓN—RECIRCULACIÓN

UBICACIÓN DE LOS CONDUCTOS Y CABLEADO

- Determine la ubicación exacta de la campana de ventilación.
- Ubique la plantilla embalada con las instrucciones.
- Mida 36" desde el piso hasta el extremo superior de la superficie de cocción. Agregue la altura de instalación de la campana determinada en la página 7. Marque esa ubicación.



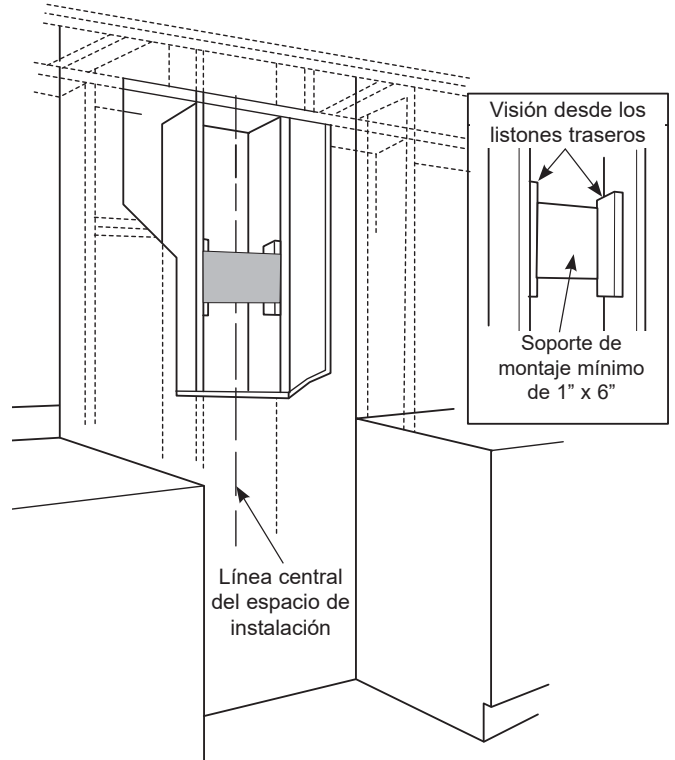
- Adhiera con cinta la plantilla en posición a lo largo de la línea de lápiz. ASEGÚRESE DE QUE LA PLANTILLA ESTÉ NIVELADA.
- Utilice un nivel para dibujar un línea hacia arriba, desde la línea central de la plantilla hasta el cielorraso.

UBICACIÓN DE CABLEADO DOMÉSTICO:

- La caja de conexiones se encuentra en el lado superior izquierdo de la campana.
- El cableado deber ingresar por la pared trasera por lo menos 18" por encima del extremo inferior de la campana, y dentro de 5-1/2" de la línea central.

1 INSTALE EL ARMAZÓN PARA EL SOPORTE DE LA CAMPANA

IMPORTANTE: El armazón debe poder soportar 100 lbs. Si se cuenta con paredes de construcción en seco, marque



las ubicaciones de los orificios para tornillos para los soportes de montaje superiores. Quite la plantilla.

- Corte suficiente pared de construcción en seco para exponer 2 pernos verticales en la ubicación de soporte indicada en la plantilla.
- Instale un soporte horizontal por lo menos 1" x 6" entre dos pernos de pared en la ubicación de tornillo de montaje. El soporte horizontal debe encontrarse alineado con el lado de la habitación de los pernos. Utilice listones detrás de ambos lados del soporte para sujetar los pernos de pared.

IMPORTANTE: Vuelva a instalar la pared de construcción en seco para lograr una superficie de montaje pareja.

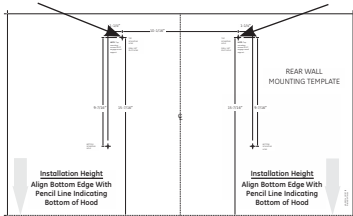
Instrucciones para la instalación

INSTALACIÓN—RECIRCULACIÓN

2 INSTALE LOS TORNILLOS DE MONTAJE DE LA CAMPANA

Los tornillos de montaje deben ingresar al soporte horizontal o los pernos de pared.

- Con la plantilla adherida con cinta en su lugar, utilice una perforadora para marcar las ubicaciones de los tornillos del soporte de montaje.
- Perfore orificios piloto de $1/8\leq$ en 2 de las ubicaciones perforadas en el soporte inferior.
- Quite la plantilla.
- Instale los tornillos de montaje, deje un espacio de $1/4\leq$ entre la cabeza del tornillo y la pared. Esto permitirá que la ranura del orificio del armazón de la campana se enganche con la cabeza del tornillo.



IMPORTANTE: Utilice los tornillos de montaje incluidos. NO UTILICE TORNILLOS PARA CONSTRUCCIONES EN SECO.

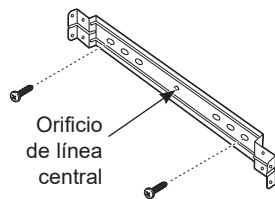
- Verifique que los tornillos de montaje estén nivelados horizontalmente.

3 INSTALE EL SOPORTE DEL CONDUCTO

El soporte del conducto debe instalarse contra la pared trasera y debe estar alineado con el cielorraso. Este soporte sostendrá la cubierta del conducto en su lugar en la parte superior.

Sujete el soporte a la pared:

- Alinee el orificio de la línea central con forma de diamante del soporte con la línea central a lápiz de la pared.
- Marque 2 ubicaciones de orificios para tornillos en la pared.
- Perfore orificios piloto de $1/8\leq$ en las ubicaciones marcadas.
- Si los orificios piloto no entran en los pernos de madera, agrande los orificios a $3/8\leq$ e instale anclajes de pared de metal (provistos).
- Si realiza el montaje directamente sobre una pared de mampostería, adquiera los anclajes adecuados #10 para mampostería. Perfore e instale según las instrucciones del fabricante de la sujeción.
- Coloque los tornillos, a mano, dentro de las sujeciones para que los anclajes se expandan. Quite los tornillos.
- Sujete el soporte a la pared con tornillos de madera y/o fijaciones.

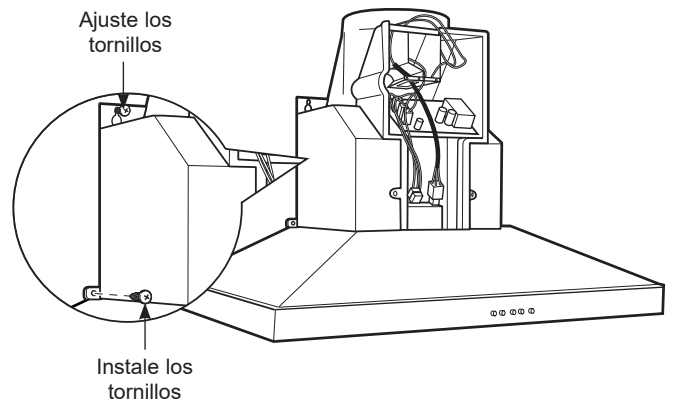


4 INSTALE LA CAMPANA

⚠ ADVERTENCIA

Se necesitan 2 personas para levantar y colocar la campana sobre los tornillos de montaje.

- Levante la campana sobre los tornillos de montaje.
- Verifique el nivel y marque las ubicaciones de los tornillos inferiores.
- Quite la campana.
- Perfore orificios piloto de $1/8\leq$ en las ubicaciones marcadas.
- Si los orificios piloto no entran en los pernos, agrande los orificios a $3/8\leq$ e instale anclajes de pared de metal (provistos).
- Levante la campana sobre los tornillos de montaje.
- Instale tornillos inferiores para ajustar la campana bien contra la pared.
- Ajuste los tornillos de montaje superiores.

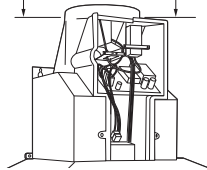
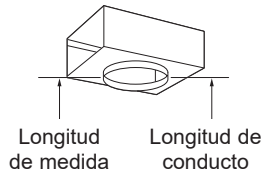


Instrucciones para la instalación

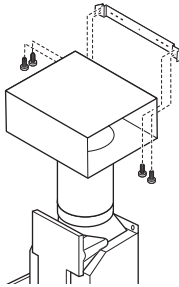
INSTALACIÓN—RECIRCULACIÓN

5 CLASIFIQUE EL TAMAÑO Y CORTE LA PIEZA DEL CONDUCTO

- Sostenga el deflector de aire superior con el conector de conducto contra el cielorraso.
- Mida desde la parte inferior del deflector de aire hasta la parte superior de la campana, como puede verse. Reduzca esa dimensión en 1" para facilitar la instalación. El conducto cubrirá y se superpondrá con el deflector y las salidas de la campana.
- Corte la pieza de conducto del tamaño adecuado y deslícela en la parte inferior del deflector.
- Coloque el deflector montado y el conducto sobre la salida de escape.
- Sostenga el montaje contra el soporte del conducto.
- Coloque 2 tornillos en cada lado de la parte inferior del deflector y en el soporte.
- Utilice cinta aislante para sellar el conducto hacia el deflector y en la salida de escape.



Deflector



Instrucciones para la instalación

INSTALACIÓN—RECIRCULACIÓN

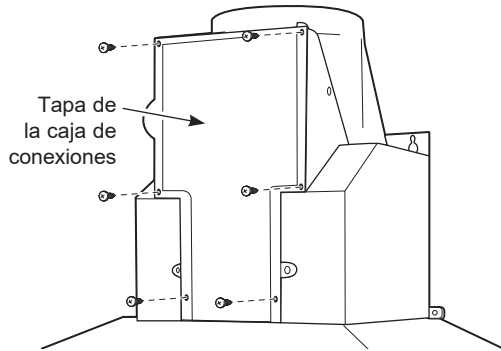
6 CONECTE LOS ELEMENTOS ELÉCTRICOS

Verifique que la energía esté cortada desde la fuente.

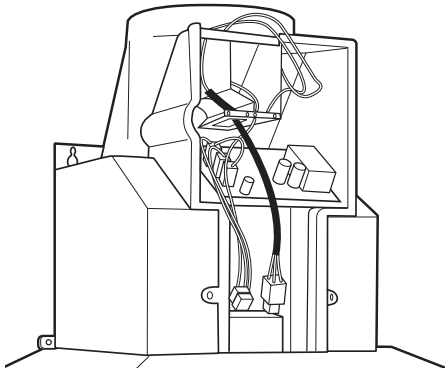
⚠ ADVERTENCIA

Si el cableado doméstico no cuenta con un cable de 2 espigas con conexión a tierra, un instalador debe realizar una conexión a tierra. Cuando el cableado doméstico es de aluminio, asegúrese de usar un compuesto antioxidante y conectores de aluminio a cobre aprobados por U.L.

- Quite los 6 tornillos de la tapa de la caja de conexiones y la expulsión sobre la parte superior o izquierda.



- Asegure el cableado doméstico a la caja de conexiones con un alivio de tensión.



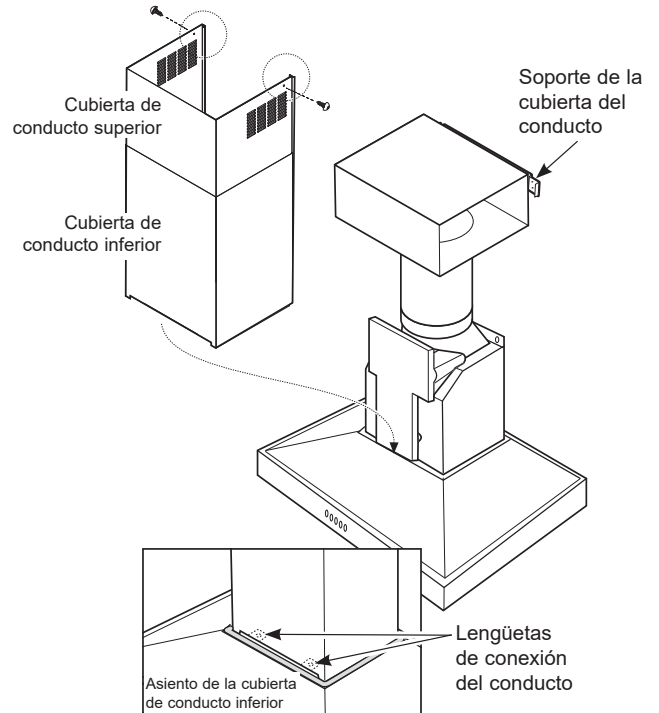
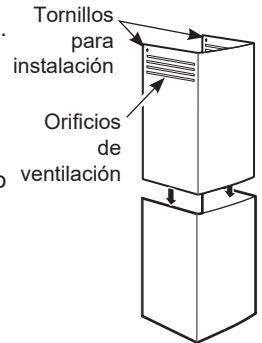
- Conecte el cable blanco al cable blanco del circuito derivado.
- Conecte el cable negro al cable negro del circuito derivado.
- Conecte el cable verde/amarillo al cable verde del circuito derivado o al cable de conexión a tierra.
- Ajuste todas las conexiones con tapones de alambre sobre cada conector eléctrico.
- Empuje los cables dentro de la caja de conexiones y vuelva a colocar la tapa. Verifique que los cables no sufran pellizcos.
- Ajuste la tapa de la caja de conexiones con los 6 tornillos originales.

7 INSTALE LAS CUBIERTAS DE LOS CONDUCTOS

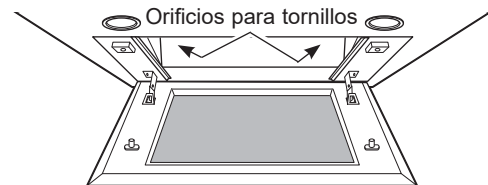
- Quite la tapa protectora de plástico.
- Coloque las cubiertas decorativas del conducto sobre la parte superior de la campana.

NOTA: La pieza interna cuenta con orificios de ventilación en un extremo previstos para ser usados cuando se instala la campana para efectuar una recirculación. Asegúrese de que el extremo con ventilación se encuentre en la parte superior; los orificios de ventilación serán visibles en esta instalación.

La pieza interna del conducto debe deslizarse dentro de los extremos doblados de la sección externa.



- Extienda el conducto interno en dirección ascendente hacia el soporte de cielorraso.



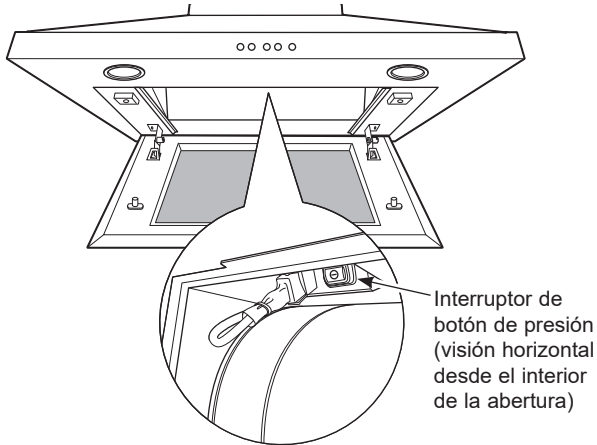
- Presione hacia arriba sobre las esquinas frontales del panel de la tapa del filtro para destrabarlo. Baje el panel para poder acceder al filtro.
- Ubique los orificios para tornillos en el extremo frontal interno de la abertura. Instale 2 tornillos para sujetar la cubierta del conducto a la campana.

Instrucciones para la instalación

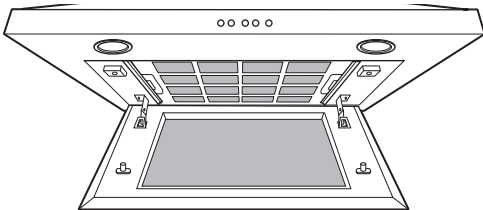
INSTALACIÓN—RECIRCULACIÓN

8 INSTALE LOS FILTROS

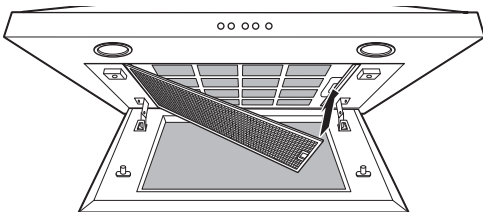
IMPORTANTE: Verifique que el interruptor principal ON/OFF (encendido/apagado) ubicado al lado del motor se encuentre en la posición ON.



- Quite las películas protectoras de los filtros de grasa y panel de la tapa del filtro.
- Inserte el filtro negro de carbón en la abertura. Presione la traba sobre ambos lados hacia el centro y enganche el reborde. Libere los pasadores para asegurar.



- Para quitar el filtro, presione la traba hacia el centro y jale hacia abajo.
- Instale el filtro de grasa de metal dentro de los canales de soporte de la campana directamente debajo del filtro de carbón.



NOTA: El filtro de carbón no debe usarse sin el filtro de metal sujeto abajo.

- Para cerrar el panel de la cubierta del filtro, empuje en ambos lados de las esquinas frontales para enganchar la traba.

9 FINALICE LA INSTALACIÓN

- Quite toda la cinta y material de empaque.
- Consulte el Manual de propietario para instrucciones operativas.

Instrucciones para la instalación

NOTAS

NOTA: Mientras efectúa las instalaciones descritas en este libro, deben utilizarse gafas o lentes de seguridad.

Para servicio técnico local Monogram® en su área, visite nuestro sitio web en monogram.com.

NOTA: La mejora de los productos es un esfuerzo continuo para Monogram Appliances. Por lo tanto, los materiales, apariencia y especificaciones pueden sufrir cambios sin previo aviso.