



Stainless Steel
KOCE500ESS

Capacity

Oven 6.4 cu. ft.

General Features & Properties

Temperature Probe

EasyConvect™ Conversion System

5.0 Cu. Ft. Total Capacity (lower oven)

1.4 Cu. Ft. Capacity (upper oven)

Crispwave™ Microwave Technology and Crisper Pan (upper oven)

SatinGlide™ Roll-Out Extension Rack (lower oven)

Electrical Details

Amps 40

Volts 240

Technical Details

Fuel Type Electric

Oven Type Combination

Number of Oven Racks 3

Cleaning Type Adjustable Self-Cleaning

Dimensions

Product Dimensions (H x W x D) 42-1/2" x 30" x 27-1/8"

Depth with Door Open 90° 46-3/4"

Cutout Dimensions (H x W x D) 41-5/16" x 28-1/2" x 24"

Reference Material

[Dimension Guide](#)

[Install Guide](#)

[Use & Care Guide](#)

[Warranty](#)

Also available in:

- White **KOCE500EWH**
- Black **KOCE500EBL**
- Black Stainless **KOCE500EBS**

Key Features & Benefits

Even-Heat™ True Convection Oven (lower oven)

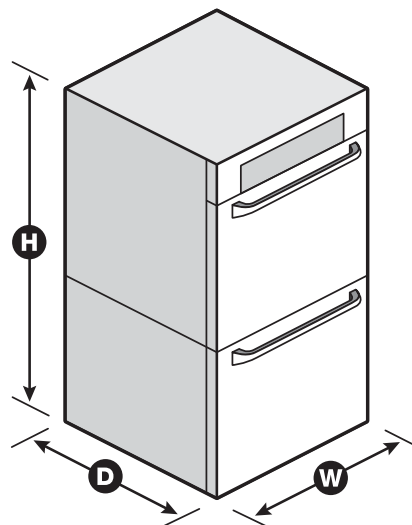
Provides consistent heating and even cooking on all racks with a unique bow-tie shaped design and convection fan that helps ensure the most even baking.

Microwave Convection Cooking (upper oven)

Increases the speed of cooking and provides a secondary convection cooking option.

Professionally-Inspired Design

Combines a bold blend of professionally-inspired styling with sleek touches for the home. This beautiful built-in wall oven features Satin Textured Handles and the KitchenAid® Badge, a symbol of uncompromised quality.



NOTE: Dimensions are for planning purposes only. For complete details, see Installation Instructions packed with product. Specifications subject to change without notice.