

NEWPORT BATH

Features

- Solid brass construction
- 1/2" IPS
- 2-3/8" flange diameter with o-ring retainer
- Many lengths available (11 sizes from 2" to 42")

Codes / Standards Compliance

Meets or exceeds the following at date of manufacture:

- All applicable US Federal and State material regulations

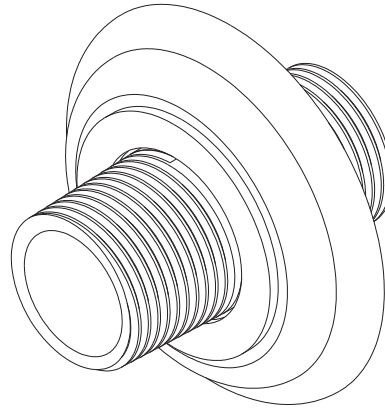
Colors / Finishes

- 10B: Oil Rubbed Bronze
- 15: Polished Nickel
- 15S: Satin Nickel - PVD
- 26: Polished Chrome
- Other: Refer to the Newport Brass catalog for additional color/finish options.

Shower Arm with Flange

517-2

Also 517-4, 517-6, 517-8, 517-10, 517-12, 517-18, 517-24, 517-30, 517-36, 517-42



Specified Model

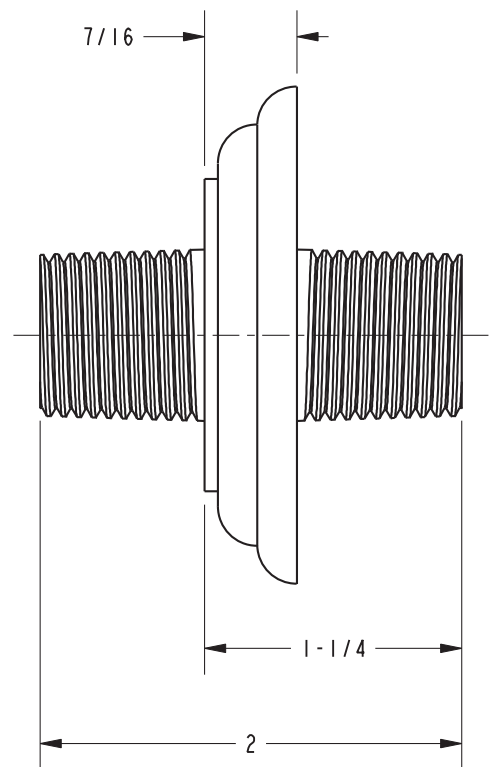
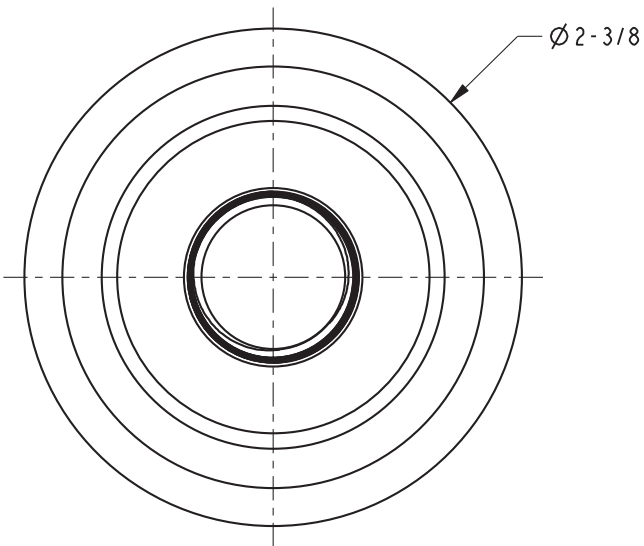
| Model | Description | Colors Finishes | | | | |
|--------|--|------------------------------|-----------------------------|------------------------------|-----------------------------|--------------------------------|
| 517-2 | 1/2" IPS x 2" Ceiling Mounted Showerhead Nipple with Flange | <input type="checkbox"/> 10B | <input type="checkbox"/> 15 | <input type="checkbox"/> 15S | <input type="checkbox"/> 26 | <input type="checkbox"/> Other |
| 517-4 | 1/2" IPS x 4" Ceiling Mounted Showerhead Nipple with Flange | <input type="checkbox"/> 10B | <input type="checkbox"/> 15 | <input type="checkbox"/> 15S | <input type="checkbox"/> 26 | <input type="checkbox"/> Other |
| 517-6 | 1/2" IPS x 6" Ceiling Mounted Showerhead Nipple with Flange | <input type="checkbox"/> 10B | <input type="checkbox"/> 15 | <input type="checkbox"/> 15S | <input type="checkbox"/> 26 | <input type="checkbox"/> Other |
| 517-8 | 1/2" IPS x 8" Ceiling Mounted Showerhead Nipple with Flange | <input type="checkbox"/> 10B | <input type="checkbox"/> 15 | <input type="checkbox"/> 15S | <input type="checkbox"/> 26 | <input type="checkbox"/> Other |
| 517-10 | 1/2" IPS x 10" Ceiling Mounted Showerhead Nipple with Flange | <input type="checkbox"/> 10B | <input type="checkbox"/> 15 | <input type="checkbox"/> 15S | <input type="checkbox"/> 26 | <input type="checkbox"/> Other |
| 517-12 | 1/2" IPS x 12" Ceiling Mounted Showerhead Nipple with Flange | <input type="checkbox"/> 10B | <input type="checkbox"/> 15 | <input type="checkbox"/> 15S | <input type="checkbox"/> 26 | <input type="checkbox"/> Other |
| 517-18 | 1/2" IPS x 18" Ceiling Mounted Showerhead Nipple with Flange | <input type="checkbox"/> 10B | <input type="checkbox"/> 15 | <input type="checkbox"/> 15S | <input type="checkbox"/> 26 | <input type="checkbox"/> Other |
| 517-24 | 1/2" IPS x 24" Ceiling Mounted Showerhead Nipple with Flange | <input type="checkbox"/> 10B | <input type="checkbox"/> 15 | <input type="checkbox"/> 15S | <input type="checkbox"/> 26 | <input type="checkbox"/> Other |
| 517-30 | 1/2" IPS x 30" Ceiling Mounted Showerhead Nipple with Flange | <input type="checkbox"/> 10B | <input type="checkbox"/> 15 | <input type="checkbox"/> 15S | <input type="checkbox"/> 26 | <input type="checkbox"/> Other |
| 517-36 | 1/2" IPS x 36" Ceiling Mounted Showerhead Nipple with Flange | <input type="checkbox"/> 10B | <input type="checkbox"/> 15 | <input type="checkbox"/> 15S | <input type="checkbox"/> 26 | <input type="checkbox"/> Other |
| 517-42 | 1/2" IPS x 42" Ceiling Mounted Showerhead Nipple with Flange | <input type="checkbox"/> 10B | <input type="checkbox"/> 15 | <input type="checkbox"/> 15S | <input type="checkbox"/> 26 | <input type="checkbox"/> Other |

Product Specification Add "Color / Finish" suffix to Model number, below.

The Shower Arm with Flange shall be made of solid brass construction. Product shall incorporate 1/2" NPT ends and have an approximate length of _____" (2", 4", 6" 8", 10", 12", 18", 24", 30", 36", 42"). The product shall incorporate a flange covering a 2-3/8" diameter at the wall and retaining an o-ring interface with the shower arm. Shower Arm with Flange shall be Newport Brass Model 517-_____/_____.

517-2

PRODUCT DIMENSIONS *(Units are in inches)*



Newport Bath Shower Arm with Flange
517-2